



PRODUCT CATALOG

Edition 02/17

RF COMPONENTS AND ACCESSORIES



Telecomitalia[®]

INDEX

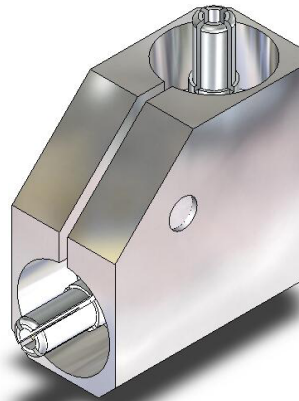
• Unflanged Elbows	
7/8" Male - Male.....	2
1+5/8" Male - Male.....	3
1+5/8" Male - Female.....	4
1+5/8" Female - Female.....	5
3+1/8" Male - Male.....	6
• Flanged Elbows	
7/8"	8
1+5/8"	9
3+1/8"	10
• Coaxial Adaptors	
7/8" Female – 1+5/8" Male.....	12
7/8" Female – 4+1/2" Female.....	13
1+5/8" Female – N Female.....	14
1+5/8" Female – 7/16" Female.....	15
1+5/8" Female – 7/8" Female.....	16
1+5/8" Female – 4+1/2" Female.....	17
3+1/8" Female – "N" Female.....	18
3+1/8" Female – 7/16" Female.....	19
3+1/8" Female – 7/8" Female.....	20
3+1/8" Female – 1+5/8" Female.....	21
3+1/8" Female – 4+1/2" Female.....	22
4+1/2" Female – 6+1/8" Female.....	23
• Inners	
7/8"	25
1+5/8"	26
3+1/8"	27
4+1/2"	28
• Coaxial Rigid Lines	
7/8".....	30
1+5/8"	31
3+1/8"	32
• Centring for Rigid Lines	
7/8".....	34
1+5/8"	35
3+1/8"	36
4+1/2"	37
• Flanges	
7/8"	39
1+5/8"	40
3+1/8"	41
4+1/2"	42

• Directional Coupler	
1+5/8" (2 probes).....	44
3+1/8" (2 probes).....	46
4+1/2" (2 probes).....	49
• Accessories for Directional Couplers	
Digital Power Meter FM	51
Digital Power Meter TV	52
Digital Power Meter FM with panel	53
Digital Power Meter TV with panel	54
• Dummy Load	
150W	56
250W	57
5 KW FM air cooled	58
• Coaxial Switching Relay	
2-Way Coaxial Switching Relay, EIA 1+5/8" connectors.....	61
2-Way Coaxial Switching Relay, EIA 3+1/8" connectors.....	63
• Accessories for Coaxial Switching Relay	
Control Panel for coaxial relay.....	66
Fast by-pass Patch panel 1+5/8"	67
• Flanges to weld	
7/8"	71
1+5/8".....	72
3+1/8".....	73
4+1/2".....	74
• Connectors for RF Cable	
7/8" EIA Flange for 1/2" foam cable.....	76
7/8" EIA Flange (90°) for 1/2" foam cable.....	77
7/8" EIA Flange for 7/8" foam cable.....	78
1+5/8" EIA Flange for 1"+5/8 foam cable.....	79
• Straight Adaptors	
3+1/8" Straight Adaptors (Coupling assembly with inner).....	81
• U-Link	
7/8"	83
1+5/8"	84
3+1/8"	85
4+1/2"	86
• Patch Panels	
7/8" six ports / three U-Links	88
1+5/8" four ports / two U-Links	89
1+5/8" five ports / two U-Links	90
1+5/8" six ports / three U-Links	91
3+1/8" four ports / two U-Links	92
3+1/8" eight ports / four U-Links	93
4+1/2" four ports / two U-Links	94

Unflanged Elbows

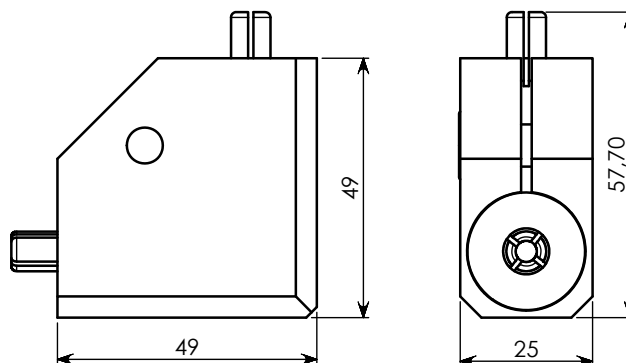
Unflanged Elbow

7/8" (male - male)



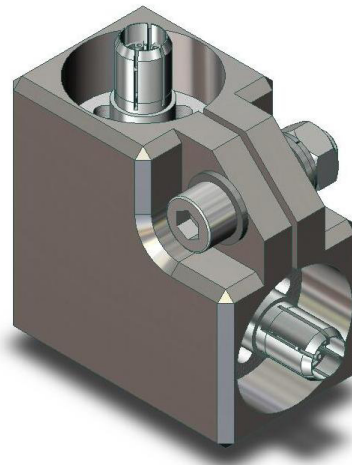
TECHNICAL DATA

Part Number	ADP7878RLAMM
Frequency Range	0.1 ÷ 900 Mhz
Connectors	EIA 7/8"
Impedance	50 Ω
Average power VHF	≤ 5 kW
Average power UHF	≤ 2.6 kW
Return Loss	≥ 32dB
Operating Temperature Range	-40 ÷ +70° C
Corps / Treatment	Aluminum / Alodine
Inner / Treatment	Phosphor Bronze / Silver plated
Insulator	PTFE
Weight	~ 0.11 Kg

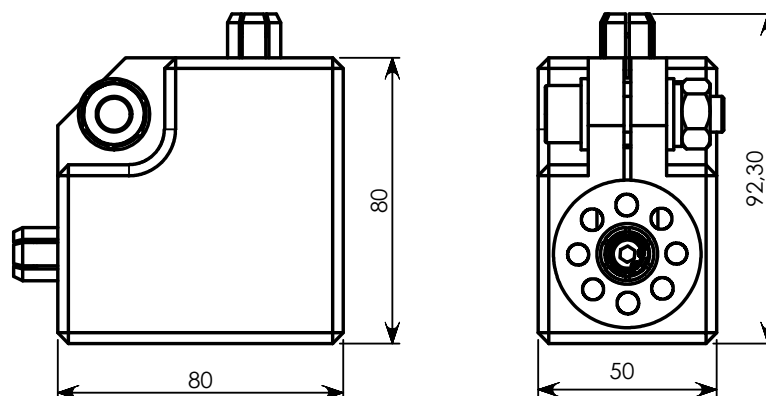


Specifications are subject to change without prior notice

Unflanged Elbow

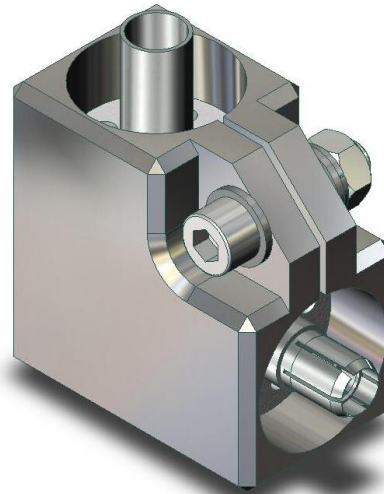
1+5/8" (male - male)

TECHNICAL DATA

Part Number	ADP5858RLAMM
Frequency Range	0.1 ÷ 900 Mhz
Connectors	EIA 1+5/8"
Impedance	50 Ω
Average power VHF	≤ 13 kW
Average power UHF	≤ 7 kW
Return Loss	≥ 32dB
Operating Temperature Range	-40 ÷ +70° C
Corps / Treatment	Aluminum / Alodine
Inner / Treatment	Phosphor Bronze / Silver plated
Insulator	PTFE
Weight	~ 0.62 Kg

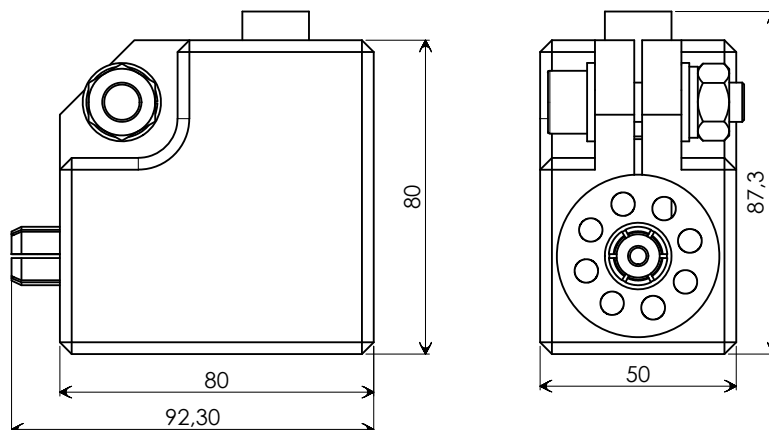


Specifications are subject to change without prior notice

Unflanged Elbow

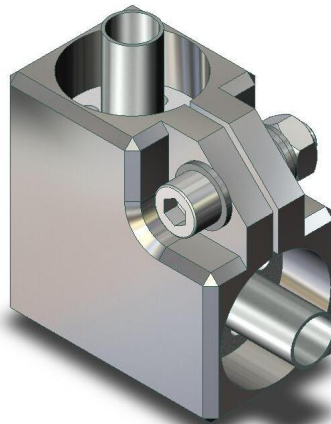
1+5/8" (male - female)

TECHNICAL DATA

Part Number	ADP5858RLAMF
Frequency Range	0.1 ÷ 900 Mhz
Connectors	EIA 1+5/8"
Impedance	50 Ω
Average power VHF	≤ 13 kW
Average power UHF	≤ 7 kW
Return Loss	≥ 32dB
Operating Temperature Range	-40 ÷ +70° C
Corps / Treatment	Aluminum / Alodine
Inner / Treatment	Phosphor Bronze / Silver plated
Insulator	PTFE
Weight	~ 0.62 Kg

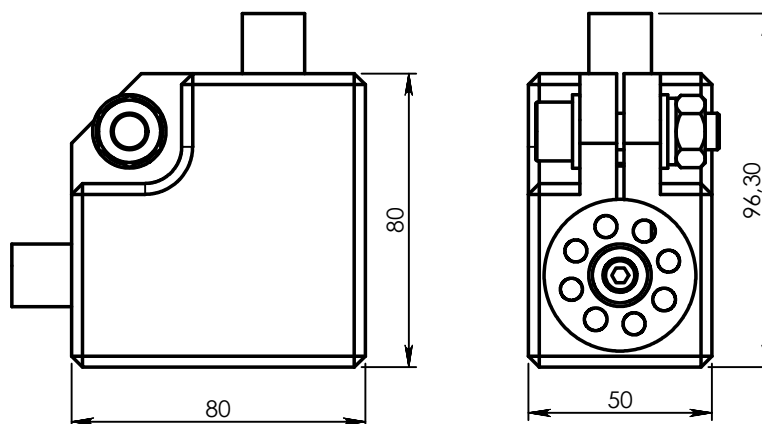


Specifications are subject to change without prior notice

Unflanged Elbow

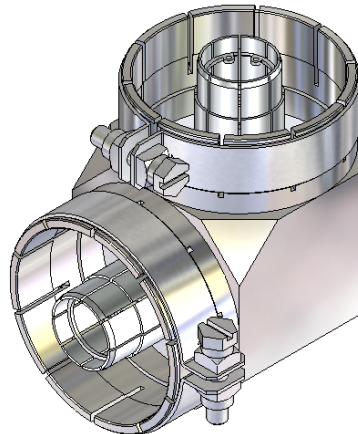
1+5/8" (female - female)

TECHNICAL DATA

Part Number	ADP5858RLAFF
Frequency Range	0.1 ÷ 900 Mhz
Connectors	EIA 1+5/8"
Impedance	50 Ω
Average power VHF	≤ 13 kW
Average power UHF	≤ 7 kW
Return Loss	≥ 32dB
Operating Temperature Range	-40 ÷ +70° C
Corps / Treatment	Aluminum / Alodine
Inner / Treatment	Phosphor Bronze / Silver plated
Insulator	PTFE
Weight	~ 0.62 Kg

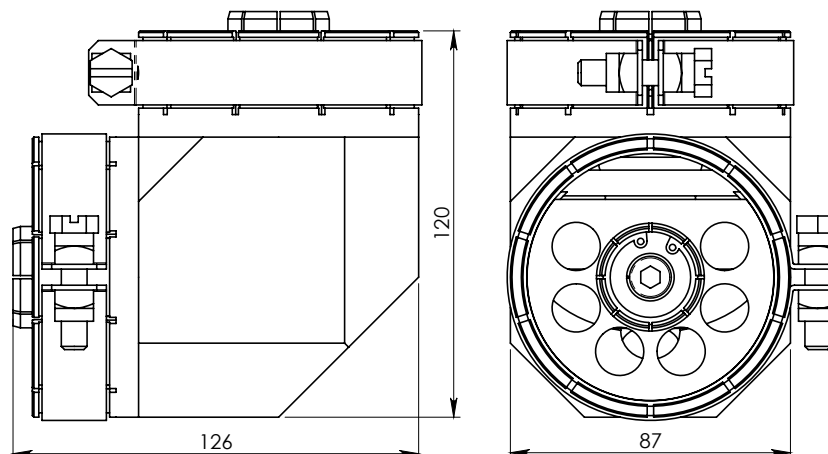


Specifications are subject to change without prior notice

Unflanged Elbow

3+1/8" (male - male)

TECHNICAL DATA

Part Number	ADP318318RLA
Frequency Range	0.1 ÷ 900 Mhz
Connectors	EIA 3+1/8"
Impedance	50 Ω
Average power VHF	≤ 35 kW
Average power UHF	≤ 22 kW
Return Loss	≥ 32dB
Operating Temperature Range	-40 ÷ +70° C
Corps / Treatment	Aluminum / Alodine
Inner / Treatment	Phosphor Bronze / Silver plated
Insulator	PTFE
Weight	~ 1.54 Kg

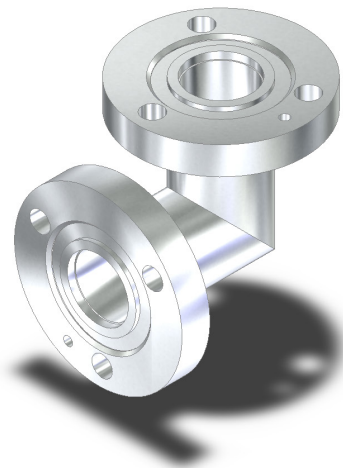


Specifications are subject to change without prior notice

Flanged Elbows

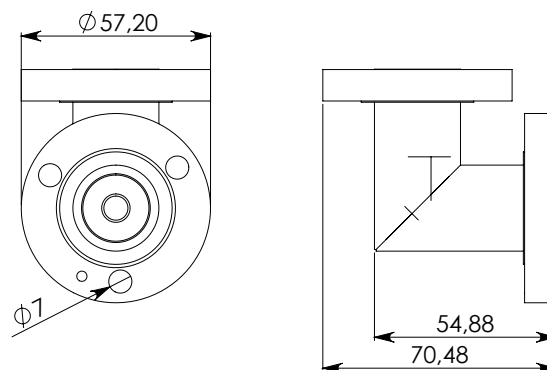
Flanged Elbow

7/8"



TECHNICAL DATA

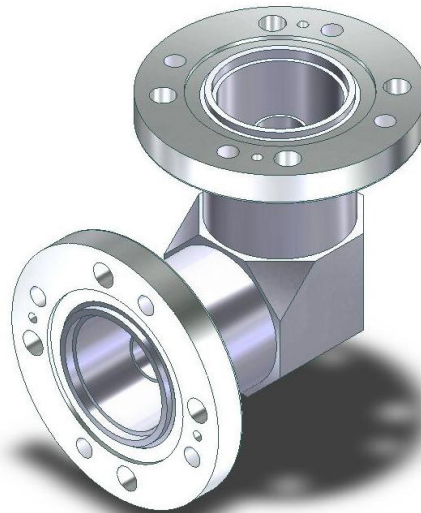
Part Number	ADP88
Frequency Range	0.1 ÷ 900 Mhz
Connectors	EIA 7/8"
Impedance	50 Ω
Average power VHF	≤ 5 kW
Average power UHF	≤ 2.6 kW
Return Loss	≥ 32dB
Operating Temperature Range	-40 ÷ +70° C
Flange / Treatment	Aluminium / Alodine
Corps / Treatment	Brass / Nickel plating
Inner / Treatment	Brass / Silver plated
Insulator	PTFE
Weight	~ 0.47 Kg



Specifications are subject to change without prior notice

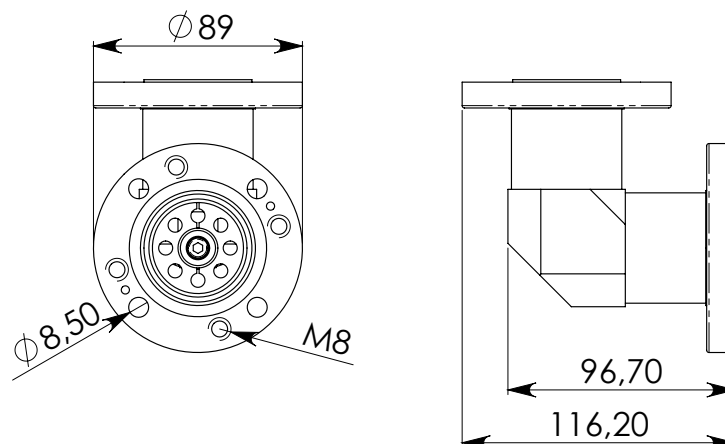
Flanged Elbow

1+5/8"



TECHNICAL DATA

Part Number	ADP158158
Frequency Range	0.1 ÷ 900 Mhz
Connectors	EIA 1+5/8"
Impedance	50 Ω
Average power VHF	≤ 13 kW
Average power UHF	≤ 7 kW
Return Loss	≥ 32dB
Operating Temperature Range	-40 ÷ +70° C
Flange / Treatment	Aluminum / Alodine
Corps / Treatment	Aluminum / Alodine
Inner / Treatment	Brass / Silver plated
Insulator	PTFE
Weight	~ 1.12 Kg



Specifications are subject to change without prior notice

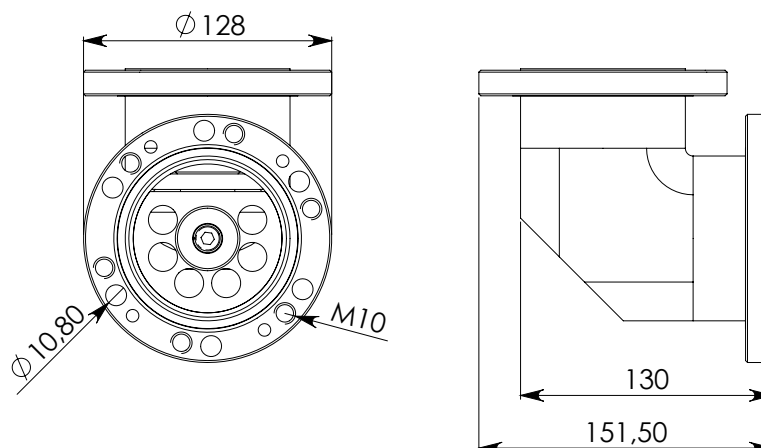
Flanged Elbow

3+1/8"



TECHNICAL DATA

Part Number	ADP318318
Frequency Range	0.1 ÷ 900 Mhz
Connectors	EIA 3+1/8"
Impedance	50 Ω
Average power VHF	≤ 35 kW
Average power UHF	≤ 22 kW
Return Loss	≥ 32dB
Operating Temperature Range	-40 ÷ +70° C
Flange / Treatment	Bronze / Nickel plating
Corps / Treatment	Aluminum / Alodine
Inner / Treatment	Brass / Silver plated
Insulator	PTFE
Weight	~ 2.30 Kg

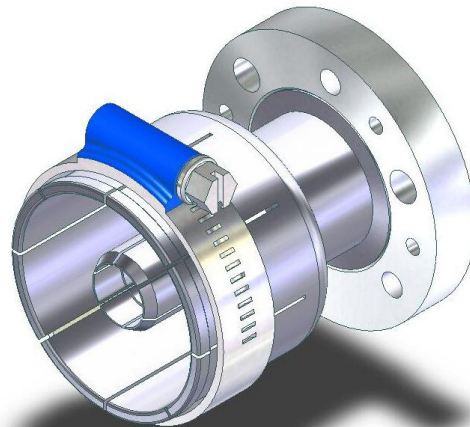


Specifications are subject to change without prior notice

Coaxial Adaptors

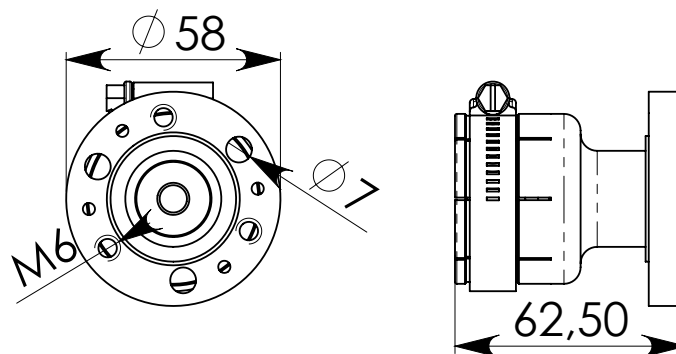
Coaxials Adaptors

7/8" female - 1+5/8" male



TECHNICAL DATA

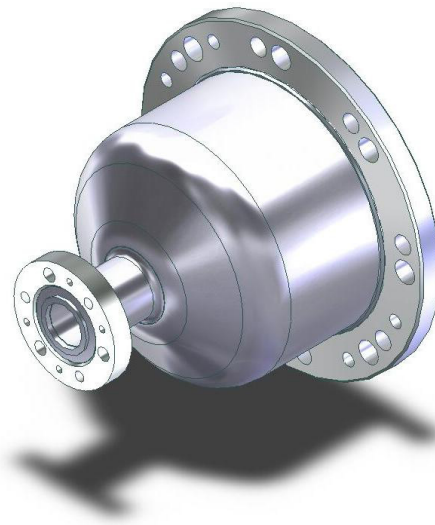
Part Number	ADP78RL158
Frequency Range	0.1 ÷ 900 Mhz
Connectors	EIA 7/8" - EIA 1+5/8"
Impedance	50 Ω
Average power VHF	≤ 5 kW
Average power UHF	≤ 2.6 kW
Return Loss	≥ 32dB
Operating Temperature Range	-40 ÷ +70° C
Flange / Treatment	Aluminum / Alodine
Corps / Treatment	Aluminum / Alodine
Inner / Treatment	Phosphor Bronze / Silver plated
Insulator	PTFE
Weight	~ 0.36 Kg



Specifications are subject to change without prior notice

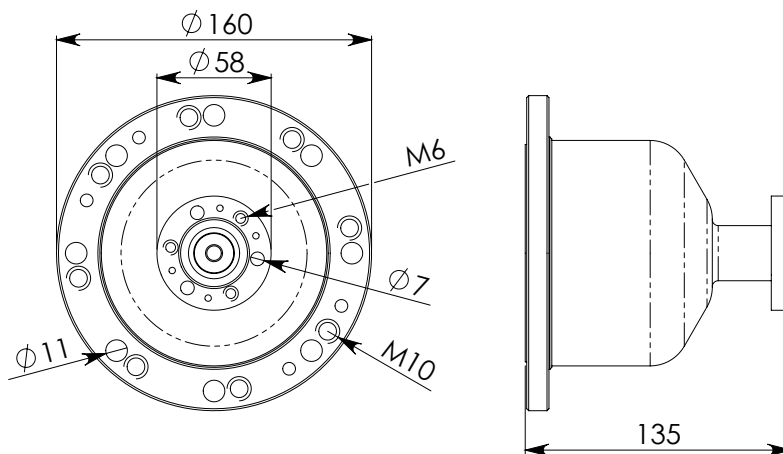
Coaxials Adaptors

7/8" female - 4+1/2" female



TECHNICAL DATA

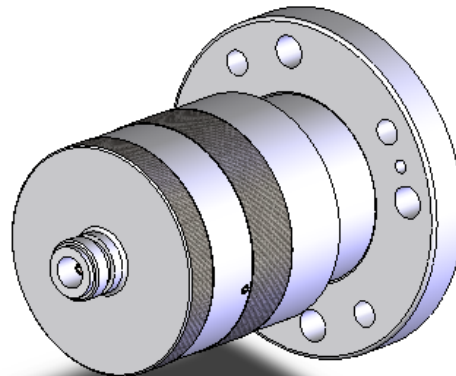
Part Number	ADP41278C
Frequency Range	0.1 ÷ 900 Mhz
Connectors	EIA 7/8" - EIA 4+1/2"
Impedance	50 Ω
Average power VHF	≤ 5 kW
Average power UHF	≤ 2.6 kW
Return Loss	≥ 32dB
Operating Temperature Range	-40 ÷ +70° C
Flange / Treatment	Bronze-Alluminium / Nickel plating-Alodine
Corps / Treatment	Aluminium / Alodine
Inner / Treatment	Brass / Silver plated
Insulator	PTFE
Weight	~ 3.37 Kg



Specifications are subject to change without prior notice

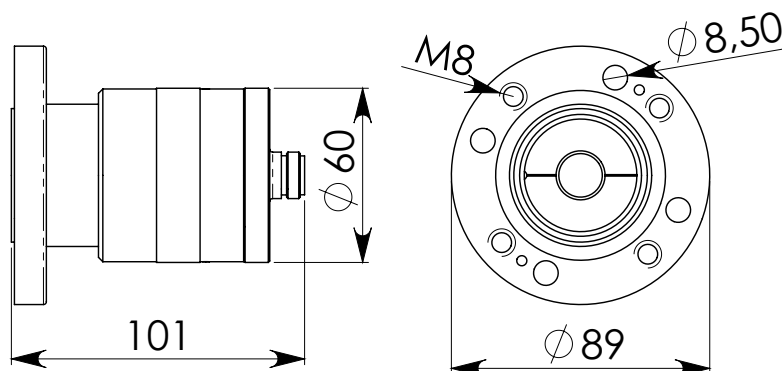
Coaxials Adaptors

1+5/8" female - N female



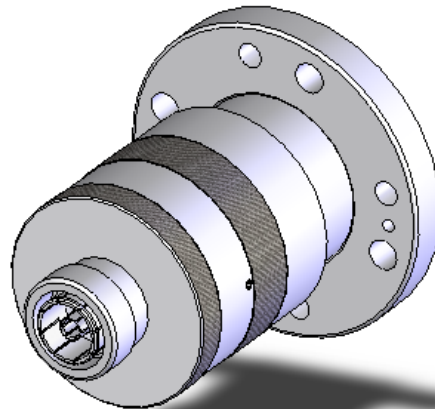
TECHNICAL DATA

Part Number	ADP158NF
Frequency Range	0.1 ÷ 900 Mhz
Connectors	EIA 1+5/8" - N
Impedance	50 Ω
Average power VHF	≤ 500 W
Average power UHF	≤ 300 W
Return Loss	≥ 32dB
Operating Temperature Range	-40 ÷ +70° C
Flange / Treatment	Alluminium / Alodine
Corps / Treatment	Brass / Nickel plating
Inner / Treatment	Brass / Silver plated
Insulator	PTFE
Weight	~ 1.52 Kg

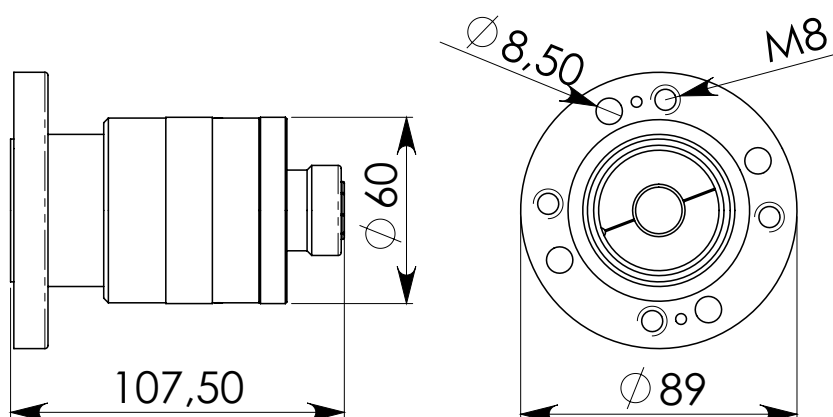


Specifications are subject to change without prior notice

Coaxials Adaptors

1+5/8" female - 7/16" female
**TECHNICAL DATA**

Part Number	ADP15816F
Frequency Range	0.1 ÷ 900 Mhz
Connectors	EIA 1+5/8" - DIN 7/16"
Impedance	50 Ω
Average power VHF	≤ 2 kW
Average power UHF	≤ 1.2 kW
Return Loss	≥ 32dB
Operating Temperature Range	-40 ÷ +70° C
Flange / Treatment	Alluminium / Alodine
Corps / Treatment	Brass / Nickel plating
Inner / Treatment	Brass / Silver plated
Insulator	PTFE
Weight	~ 1.55 Kg



Specifications are subject to change without prior notice

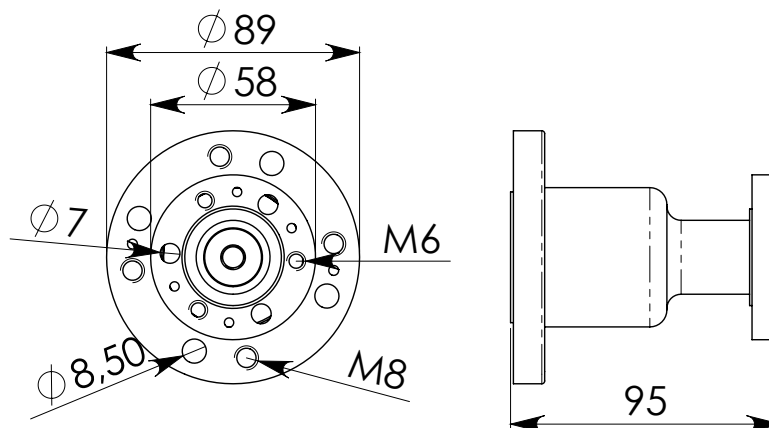
Coaxials Adaptors

1+5/8" female - 7/8" female



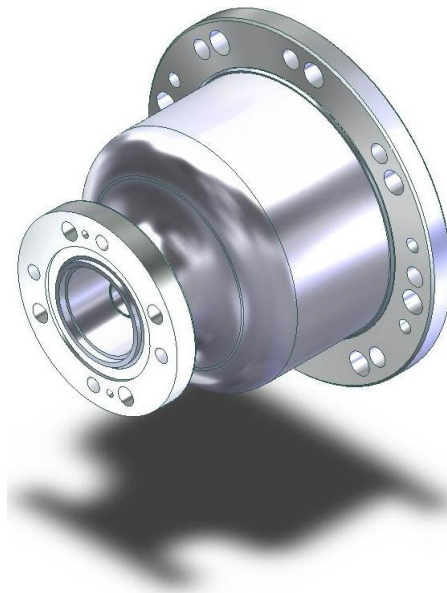
TECHNICAL DATA

Part Number	ADP1588C
Frequency Range	0.1 ÷ 900 Mhz
Connectors	EIA 1+5/8" - EIA 7/8"
Impedance	50 Ω
Average power VHF	≤ 5 kW
Average power UHF	≤ 2.6 kW
Return Loss	≥ 32dB
Operating Temperature Range	-40 ÷ +70° C
Flange / Treatment	Aluminum / Alodine
Corps / Treatment	Aluminium / Alodine
Inner / Treatment	Brass / Silver plated
Insulator	PTFE
Weight	~ 0.96 Kg

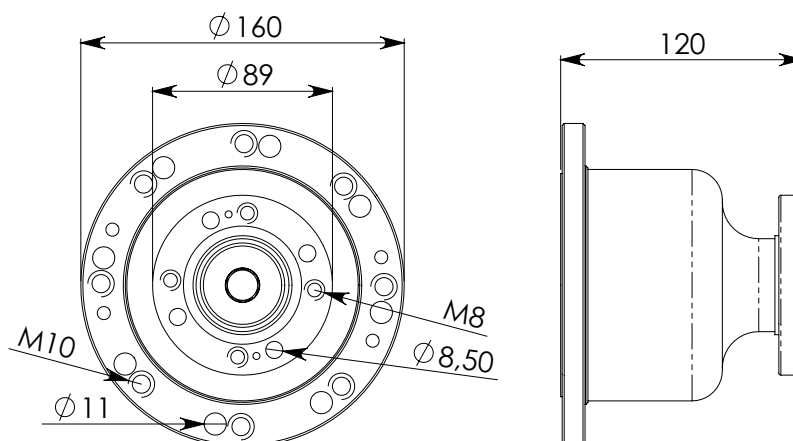


Specifications are subject to change without prior notice

Coaxials Adaptors

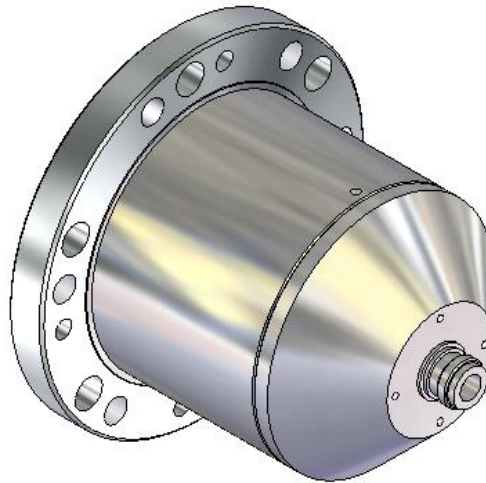
1+5/8" female - 4+1/2" female
**TECHNICAL DATA**

Part Number	ADP412158C
Frequency Range	0.1 ÷ 900 Mhz
Connectors	EIA 1+5/8" - EIA 4+1/2"
Impedance	50 Ω
Average power VHF	≤ 13 kW
Average power UHF	≤ 7 kW
Return Loss	≥ 32dB
Operating Temperature Range	-40 ÷ +70° C
Flange / Treatment	Aluminum-Bronze / Alodine-Nickel plating
Corps / Treatment	Aluminium / Alodine
Inner / Treatment	Brass / Silver plated
Insulator	PTFE
Weight	~ 2.01 Kg



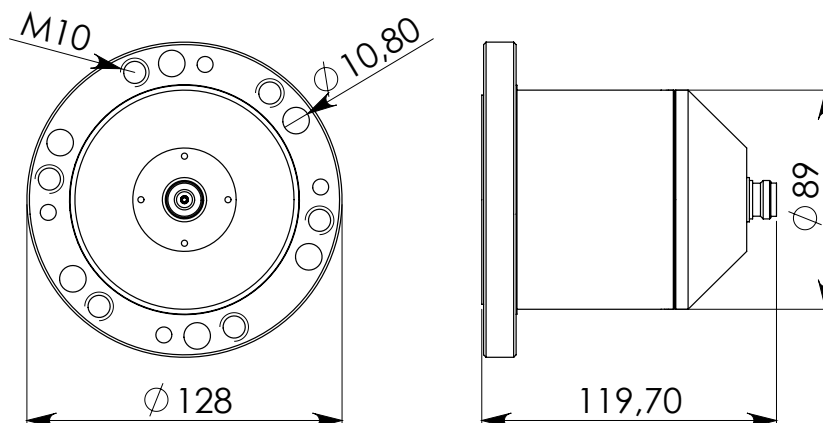
Specifications are subject to change without prior notice

3+1/8" female - N female



TECHNICAL DATA

Part Number	ADP318NF
Frequency Range	0.1 ÷ 900 Mhz
Connectors	EIA 3+1/8" - N
Impedance	50 Ω
Average power VHF	≤ 500 W
Average power UHF	≤ 300 W
Return Loss	≥ 32dB
Operating Temperature Range	-40 ÷ +70° C
Flange / Treatment	Bronze / Nickel plating
Corps / Treatment	Aluminium / Alodine
Inner / Treatment	Brass / Silver plated
Insulator	PTFE
Weight	~ 1.5 Kg



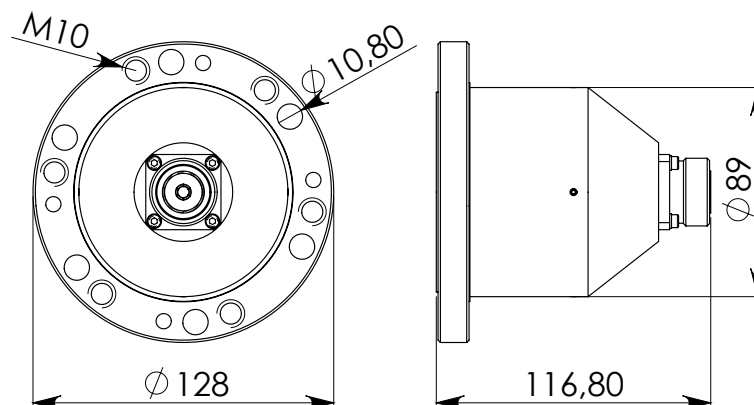
Specifications are subject to change without prior notice

3+1/8" female - 7/16" female



TECHNICAL DATA

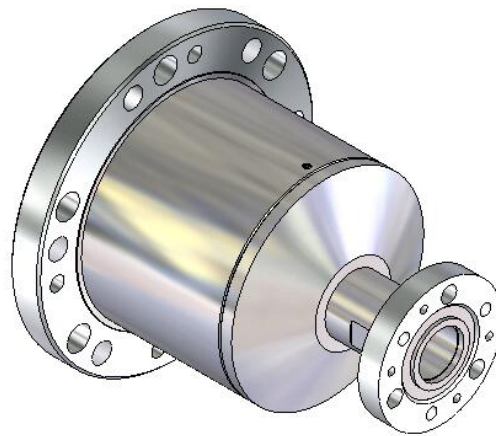
Part Number	ADP318716F
Frequency Range	0.1 ÷ 900 Mhz
Connectors	EIA 3+1/8" - DIN 7/16"
Impedance	50 Ω
Average power VHF	≤ 2 kW
Average power UHF	≤ 1.2 kW
Return Loss	≥ 32dB
Operating Temperature Range	-40 ÷ +70° C
Flange / Treatment	Bronze / Nickel plating
Corps / Treatment	Aluminium / Alodine
Inner / Treatment	Brass / Silver plated
Insulator	PTFE
Weight	~ 1.3 Kg



Specifications are subject to change without prior notice

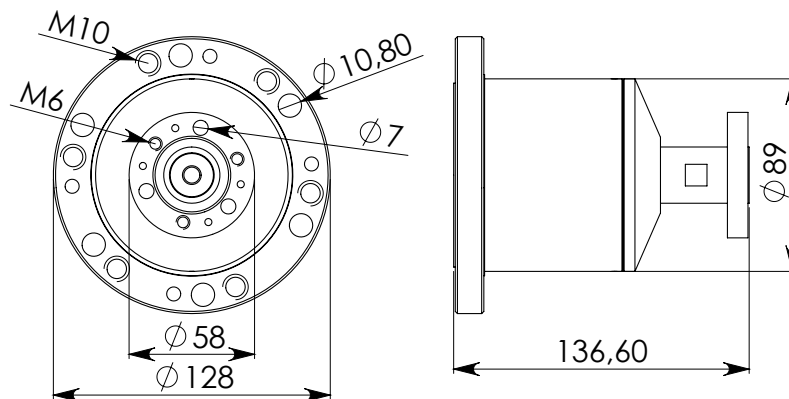
Coaxials Adaptors

3+1/8" female - 7/8" female



TECHNICAL DATA

Part Number	ADP31878F
Frequency Range	0.1 ÷ 900 Mhz
Connectors	EIA 3+1/8" - EIA 7/8"
Impedance	50 Ω
Average power VHF	≤ 5 kW
Average power UHF	≤ 2.6 kW
Return Loss	≥ 32dB
Operating Temperature Range	-40 ÷ +70° C
Flange / Treatment	Bronze - Aluminum / Nickel plating - alodine
Corps / Treatment	Aluminium / Alodine
Inner / Treatment	Brass / Silver plated
Insulator	PTFE
Weight	~ 1.5 Kg



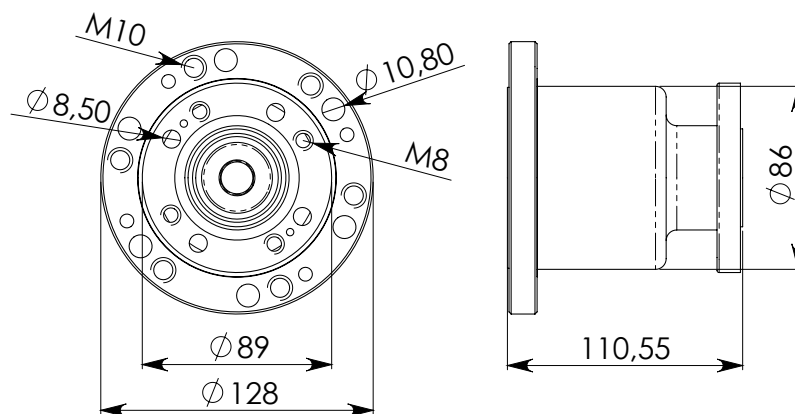
Specifications are subject to change without prior notice

3+1/8" female - 1+5/8" female



TECHNICAL DATA

Part Number	ADP318158C
Frequency Range	0.1 ÷ 900 Mhz
Connectors	EIA 3+1/8" - EIA 1+5/8"
Impedance	50 Ω
Average power VHF	≤ 13 kW
Average power UHF	≤ 7 kW
Return Loss	≥ 32dB
Operating Temperature Range	-40 ÷ +70° C
Flange / Treatment	Bronze - Aluminum / Nickel plating - Alodine
Corps / Treatment	Aluminium / Alodine
Inner / Treatment	Brass / Silver plated
Insulator	PTFE
Weight	~ 1.4 Kg



Specifications are subject to change without prior notice

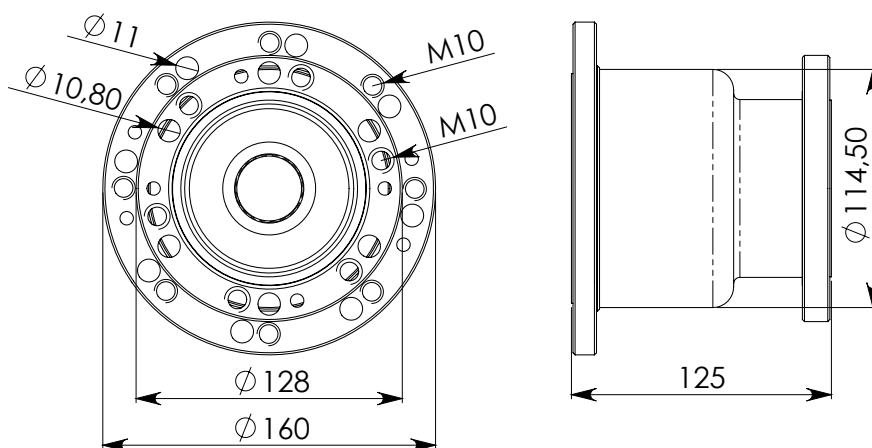
Coaxials Adaptors

3+1/8" female - 4+1/2" female



TECHNICAL DATA

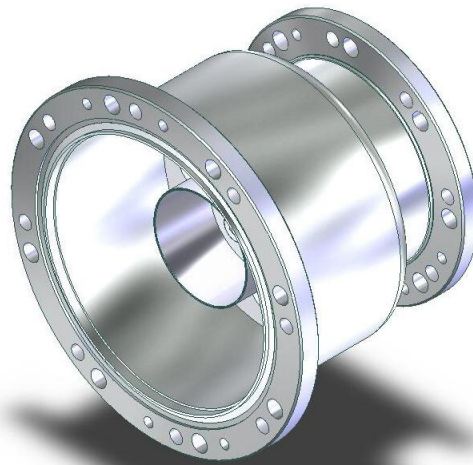
Part Number	ADP412318C
Frequency Range	0.1 ÷ 900 Mhz
Connectors	EIA 3+1/8" - EIA 4+1/2"
Impedance	50 Ω
Average power VHF	≤ 35 kW
Average power UHF	≤ 22 kW
Return Loss	≥ 32dB
Operating Temperature Range	-40 ÷ +70° C
Flange / Treatment	Bronze / Nickel plating
Corps / Treatment	Aluminium / Alodine
Inner / Treatment	Brass / Silver plated
Insulator	PTFE
Weight	~ 2.2 Kg



Specifications are subject to change without prior notice

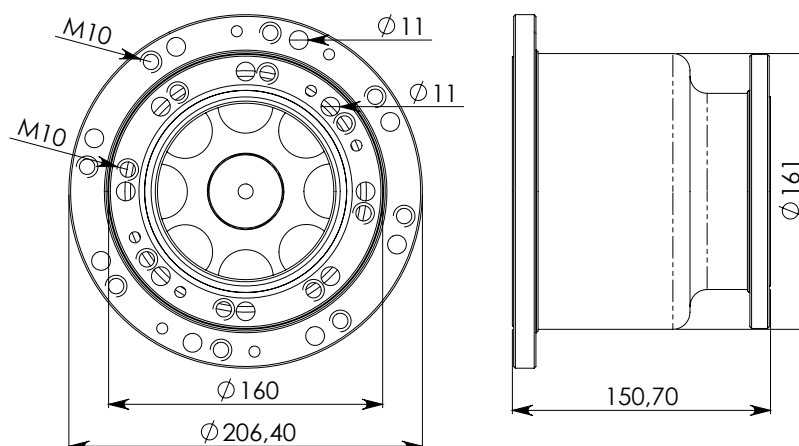
Coaxials Adaptors

4+1/2" female - 6+1/8" female



TECHNICAL DATA

Part Number	ADP618412C
Frequency Range	0.1 ÷ 900 Mhz
Connectors	EIA 4+1/2" - EIA 6+1/8"
Impedance	50 Ω
Average power VHF	≤ 40 kW
Average power UHF	≤ 37 kW
Return Loss	≥ 32dB
Operating Temperature Range	-40 ÷ +70° C
Flange / Treatment	Bronze / Nickel plating
Corps / Treatment	Aluminium / Alodine
Inner / Treatment	Brass / Silver plated
Insulator	PTFE
Weight	~ 3.9 Kg

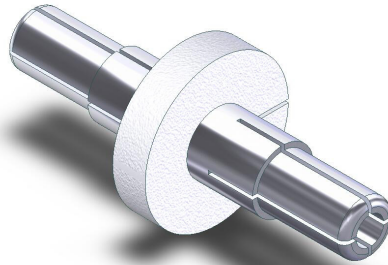


Specifications are subject to change without prior notice

Inners

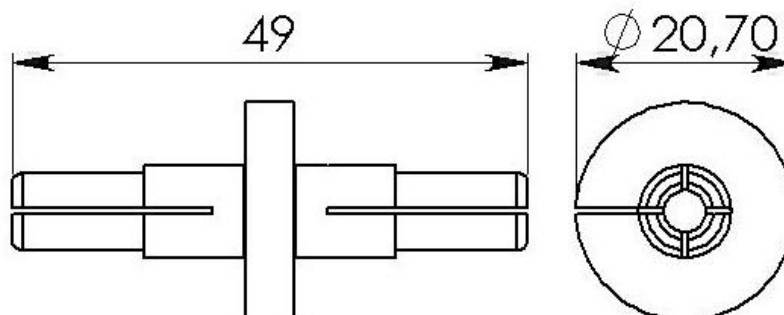
Inners

7/8"



TECHNICAL DATA

Part Number	CNTF8
Frequency Range	0.1 ÷ 900 Mhz
Connectors	EIA 7/8"
Impedance	50 Ω
Average power VHF	≤ 5 kW
Average power UHF	≤ 2.6 kW
Return Loss	≥ 32dB
Operating Temperature Range	-40 ÷ +70° C
Inner / Treatment	Phosphor Bronze / Silver plated
Insulator	PTFE
Weight	~ 0.02 Kg



Specifications are subject to change without prior notice

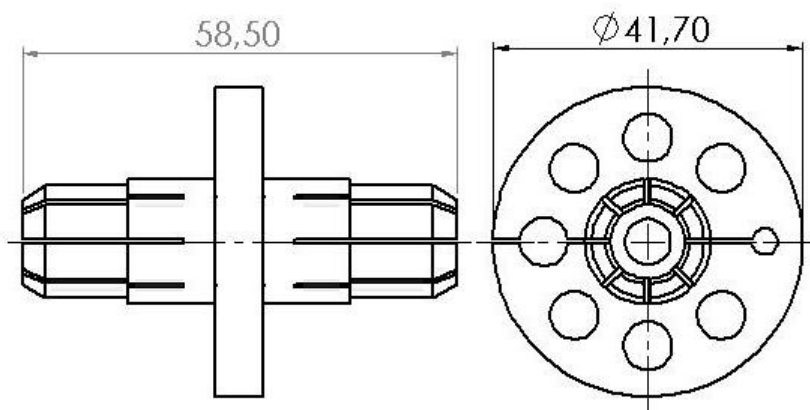
Inners

1+5/8"



TECHNICAL DATA

Part Number	CNT158
Frequency Range	0.1 ÷ 900 Mhz
Connectors	EIA 1+5/8"
Impedance	50 Ω
Average power VHF	≤ 13 kW
Average power UHF	≤ 7 kW
Return Loss	≥ 32dB
Operating Temperature Range	-40 ÷ +70° C
Inner / Treatment	Phosphor Bronze / Silver plated
Insulator	PTFE
Weight	~ 0.06 Kg



Specifications are subject to change without prior notice

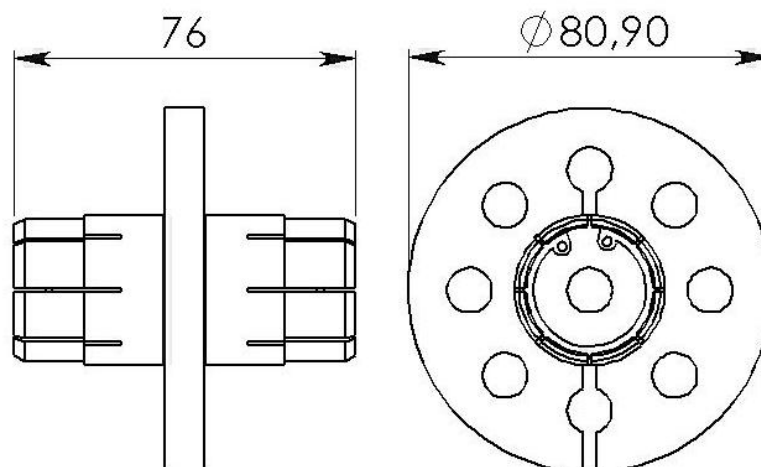
Inners

3+1/8"



TECHNICAL DATA

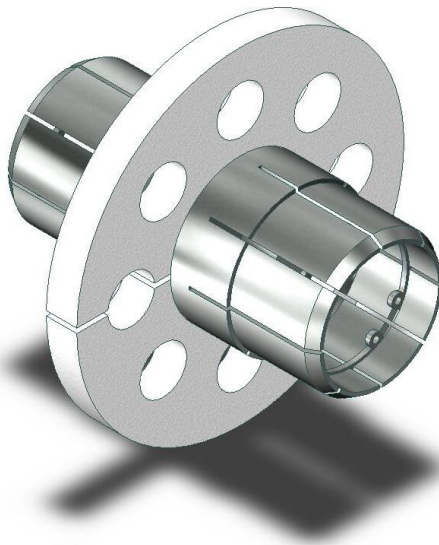
Part Number	CNT318
Frequency Range	0.1 ÷ 900 Mhz
Connectors	EIA 3+1/8"
Impedance	50 Ω
Average power VHF	≤ 35 kW
Average power UHF	≤ 22 kW
Return Loss	≥ 32dB
Operating Temperature Range	-40 ÷ +70° C
Inner / Treatment	Phosphor Bronze / Silver plated
Insulator	PTFE
Weight	~ 0.25 Kg



Specifications are subject to change without prior notice

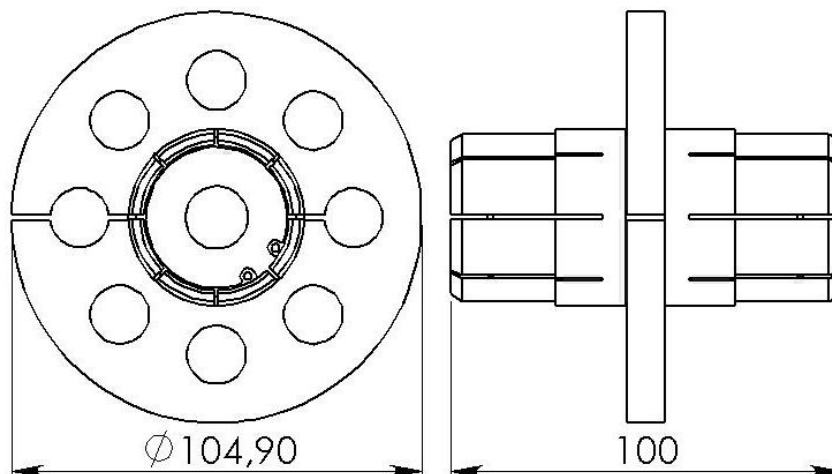
Inners

4+1/2"



TECHNICAL DATA

Part Number	CNT412
Frequency Range	0.1 ÷ 900 Mhz
Connectors	EIA 4+1/2"
Impedance	50 Ω
Average power VHF	≤ 70 kW
Average power UHF	≤ 37 kW
Return Loss	≥ 32dB
Operating Temperature Range	-40 ÷ +70° C
Inner / Treatment	Phosphor Bronze / Silver plated
Insulator	PTFE
Weight	~ 0.55 Kg

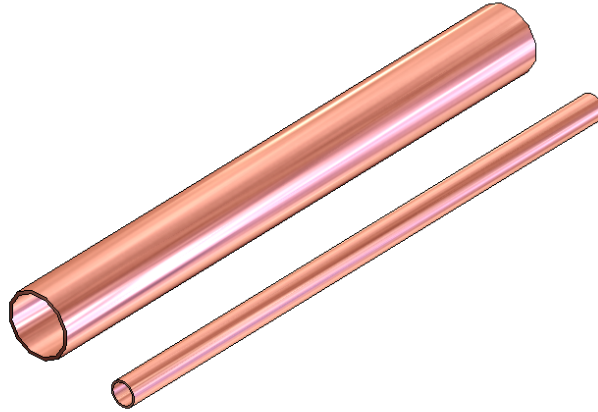


Specifications are subject to change without prior notice

Coaxial Rigid Lines

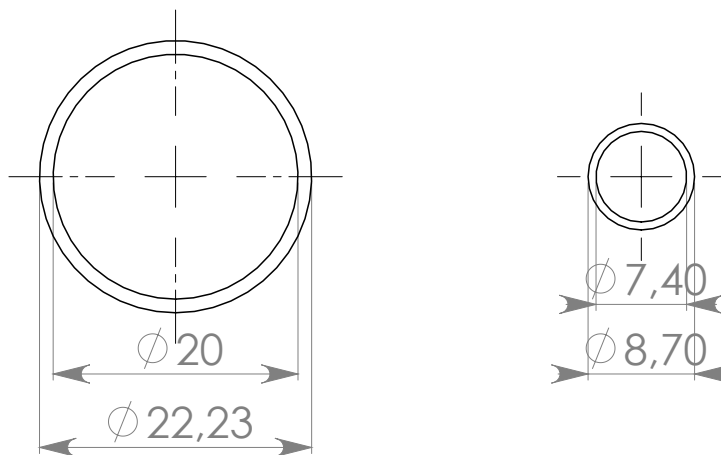
Coaxial Rigid Lines

7/8"



TECHNICAL DATA

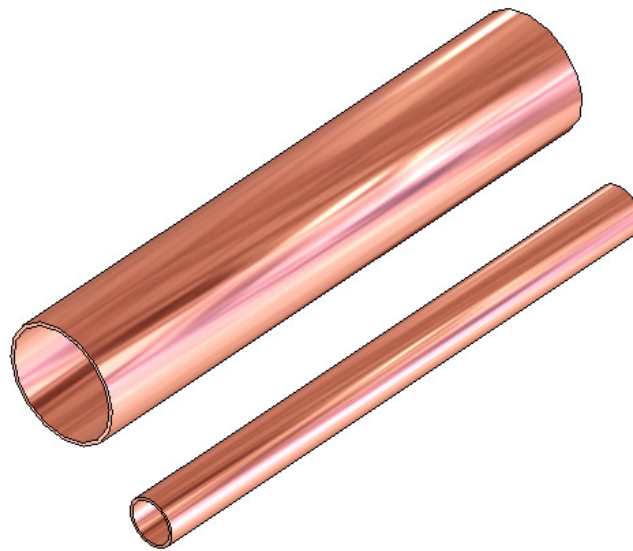
Part Number	CCXRL78
Frequency Range	DC/1.5 Ghz
Impedance	50 Ω
Average power VHF	≤ 5 kW
Average power UHF	≤ 2.6 kW
Operating Temperature Range	-40 ÷ +70° C
Inner/Outer conductor	Polished Copper
Length	On request
Weight	~ 0.9 Kg/m



Specifications are subject to change without prior notice

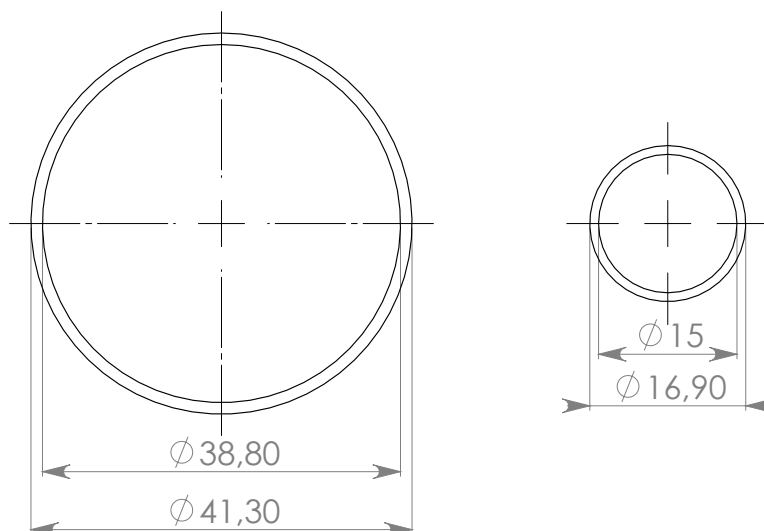
Coaxial Rigid Lines

1+5/8"



TECHNICAL DATA

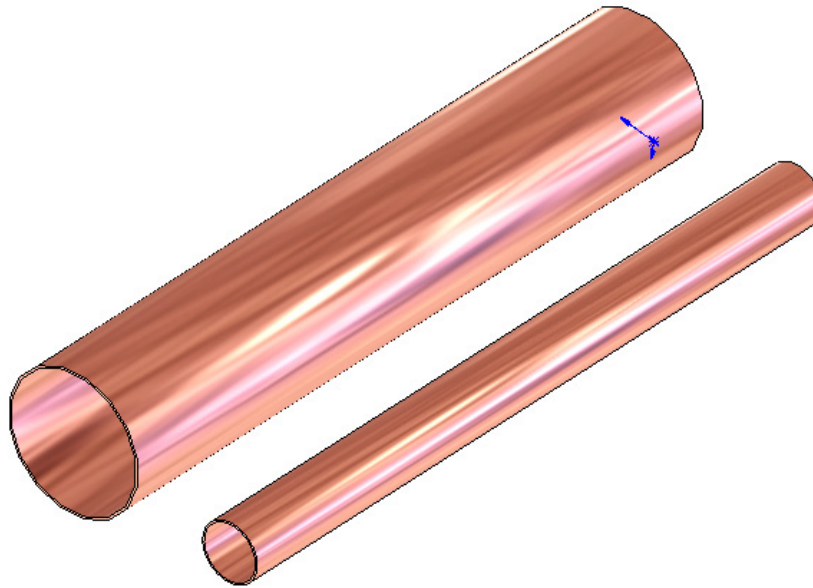
Part Number	CCXRL158
Frequency Range	DC/1.5 Ghz
Impedance	50 Ω
Average power VHF	≤ 13 kW
Average power UHF	≤ 7 kW
Operating Temperature Range	-40 \div +70° C
Inner/Outer conductor	Polished Copper
Length	On request
Weight	~ 2.1 Kg/m



Specifications are subject to change without prior notice

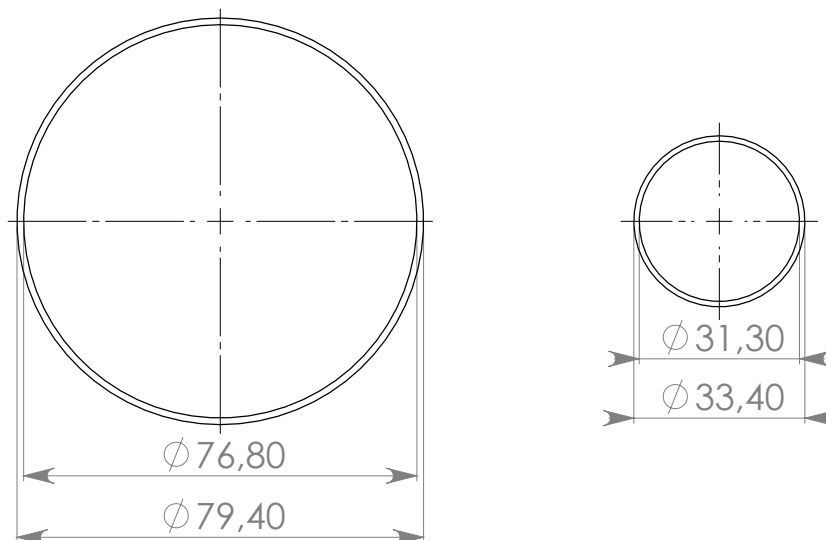
Coaxial Rigid Lines

3+1/8"



TECHNICAL DATA

Part Number	CCXRL318
Frequency Range	DC/1.5 Ghz
Impedance	50 Ω
Average power VHF	≤ 35 kW
Average power UHF	≤ 22 kW
Operating Temperature Range	-40 ÷ +70° C
Inner/Outer conductor	Polished Copper
Length	On request
Weight	~ 4.0 Kg/m

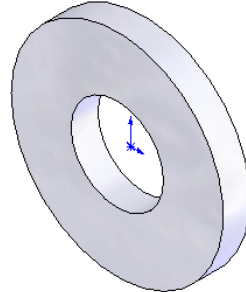


Specifications are subject to change without prior notice

Centering for Rigid Lines

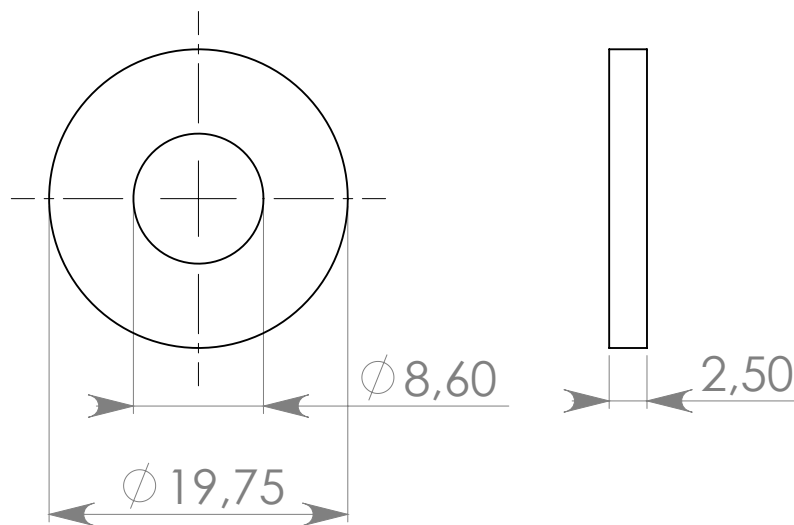
Centering for Rigid Lines

7/8"



TECHNICAL DATA

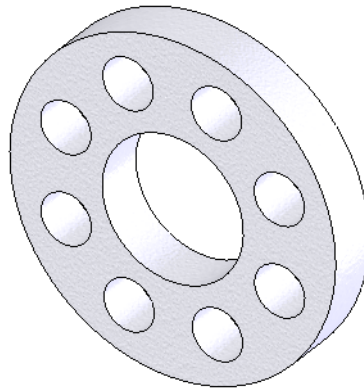
Part Number	CENISRL78
Operating Temperature Range	-40 ÷ +70° C
Material	PTFE
Weight	~ 1.3 g



Specifications are subject to change without prior notice

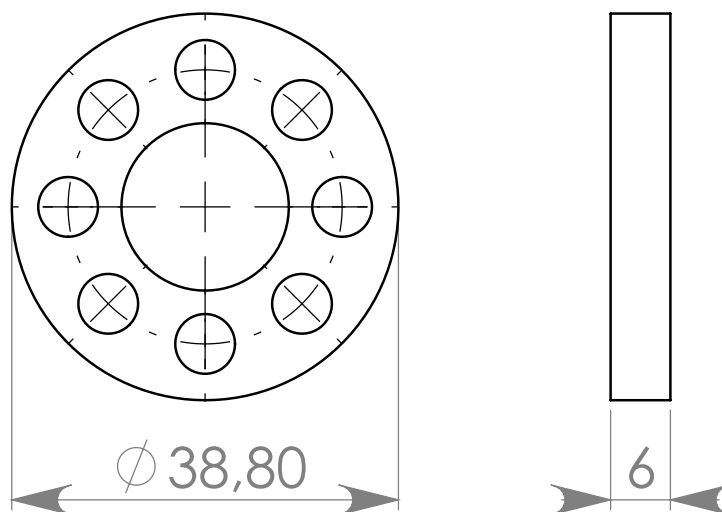
Centering for Rigid Lines

1+5/8"



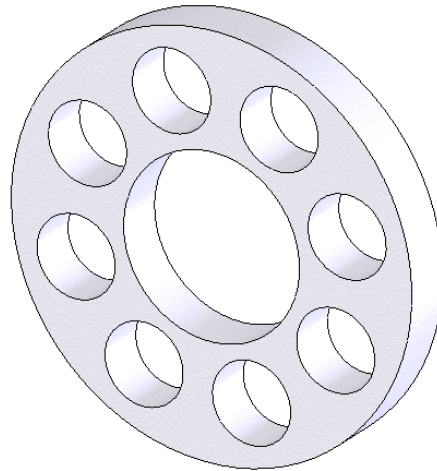
TECHNICAL DATA

Part Number	CENISRL158
Operating Temperature Range	-40 ÷ +70° C
Material	PTFE
Weight	~ 10 g

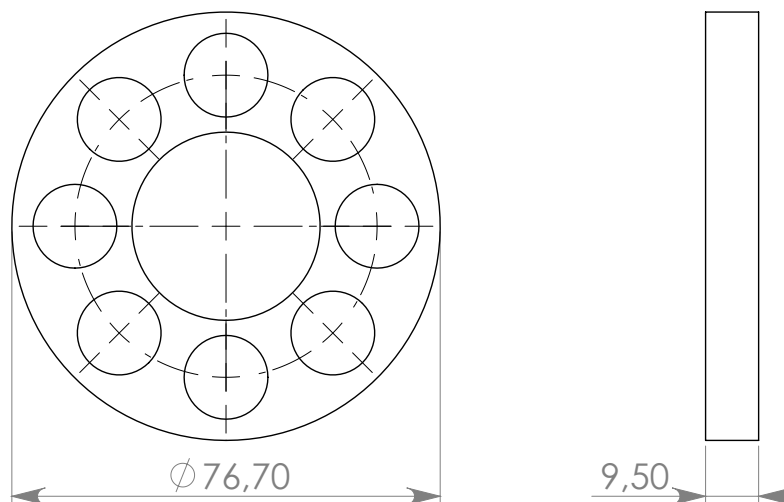


Specifications are subject to change without prior notice

Centering for Rigid Lines

3+1/8"

TECHNICAL DATA

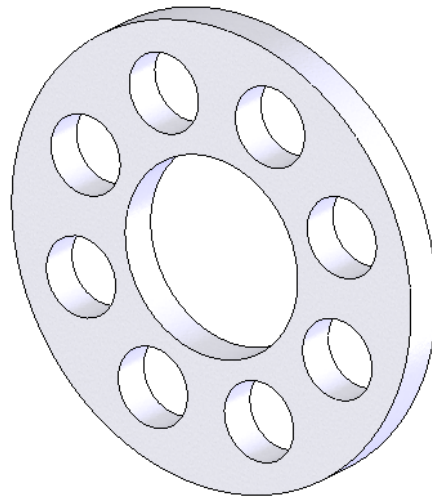
Part Number	CENISRL318
Operating Temperature Range	-40 ÷ +70° C
Material	PTFE
Weight	~ 50 g



Specifications are subject to change without prior notice

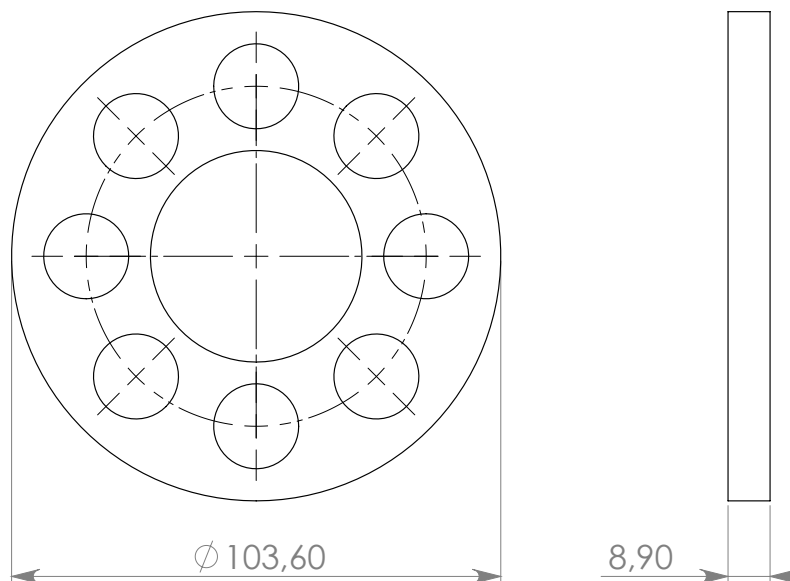
Centering for Rigid Lines

4+1/2"



TECHNICAL DATA

Part Number	CENISRL412
Operating Temperature Range	-40 ÷ +70° C
Material	PTFE
Weight	~ 93 g

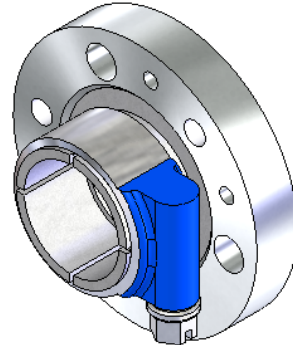


Specifications are subject to change without prior notice

Flanges

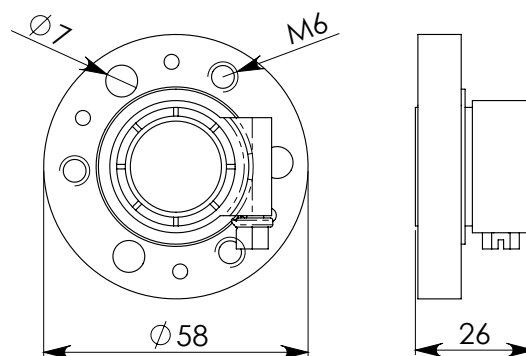
Flanges

7/8"



TECHNICAL DATA

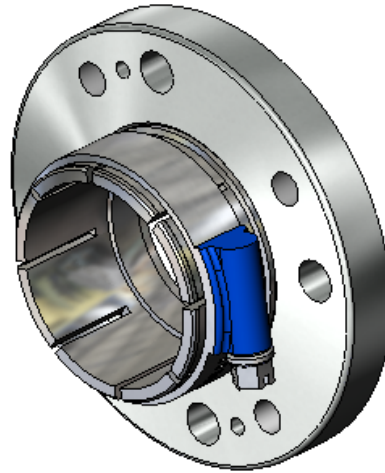
Part Number	CNT78FLX78RL
Frequency Range	0.1 ÷ 900 Mhz
Connectors	EIA 7/8"
Impedance	50 Ω
Average power VHF	≤ 5 kW
Average power UHF	≤ 2.6 kW
Operating Temperature Range	-40 ÷ +70° C
Flange / Treatment	Aluminium / Alodine
Corps / Treatment	Aluminium / Alodine
Weight	~ 0.16 Kg



Specifications are subject to change without prior notice

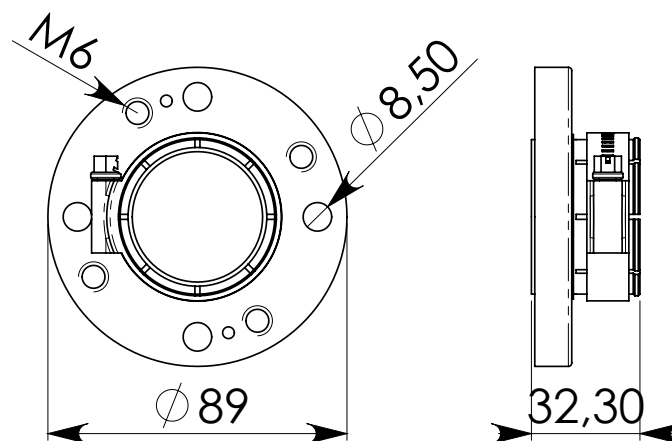
Flanges

1+5/8"



TECHNICAL DATA

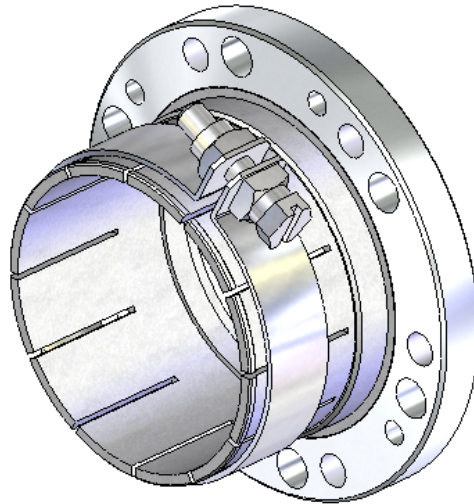
Part Number	CNT58FLX58RL
Frequency Range	0.1 ÷ 900 Mhz
Connectors	EIA 1+5/8"
Impedance	50 Ω
Average power VHF	≤ 13 kW
Average power UHF	≤ 7 kW
Operating Temperature Range	-40 ÷ +70° C
Flange / Treatment	Aluminium / Alodine
Corps / Treatment	Aluminium / Alodine
Weight	~ 0.43 Kg



Specifications are subject to change without prior notice

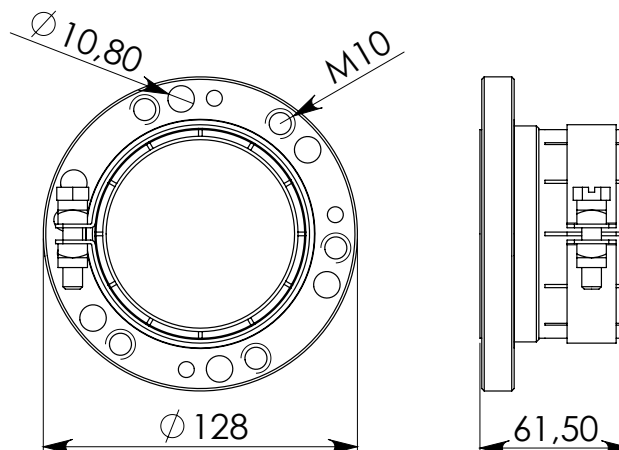
Flanges

3+1/8"



TECHNICAL DATA

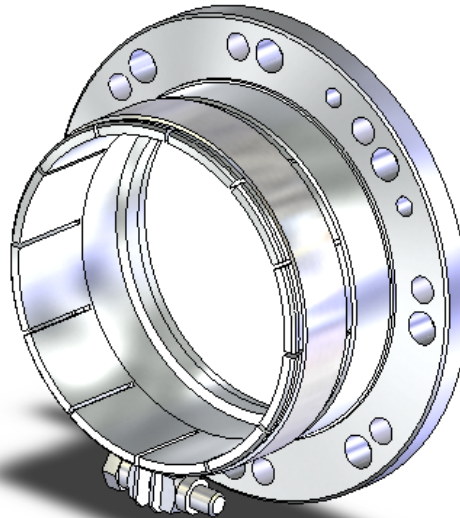
Part Number	CNT18FLX18RL
Frequency Range	0.1 ÷ 900 Mhz
Connectors	EIA 3+1/8"
Impedance	50 Ω
Average power VHF	≤ 35 kW
Average power UHF	≤ 22 kW
Operating Temperature Range	-40 ÷ +70° C
Flange / Treatment	Bronze / Nickel plating
Corps / Treatment	Aluminium / Alodine
Weight	~ 0.82 Kg



Specifications are subject to change without prior notice

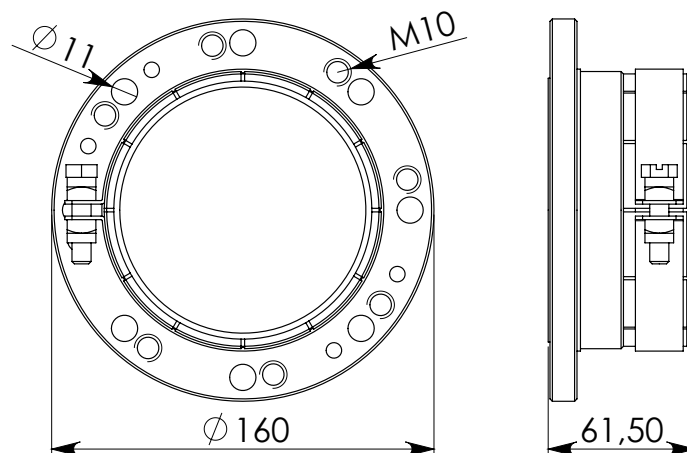
Flanges

4+1/2"



TECHNICAL DATA

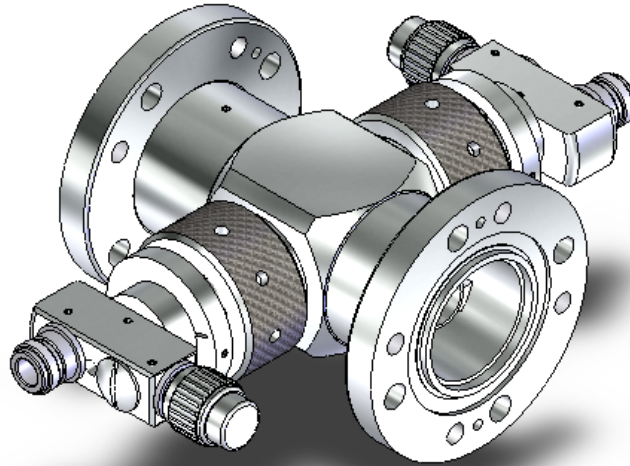
Part Number	CNT41FLX41RL
Frequency Range	0.1 ÷ 900 Mhz
Connectors	EIA 4+1/2"
Impedance	50 Ω
Average power VHF	≤ 70 kW
Average power UHF	≤ 37 kW
Operating Temperature Range	-40 ÷ +70° C
Flange / Treatment	Bronze / Nickel plating
Corps / Treatment	Bronze / Nickel plating
Weight	~ 1.5 Kg



Specifications are subject to change without prior notice

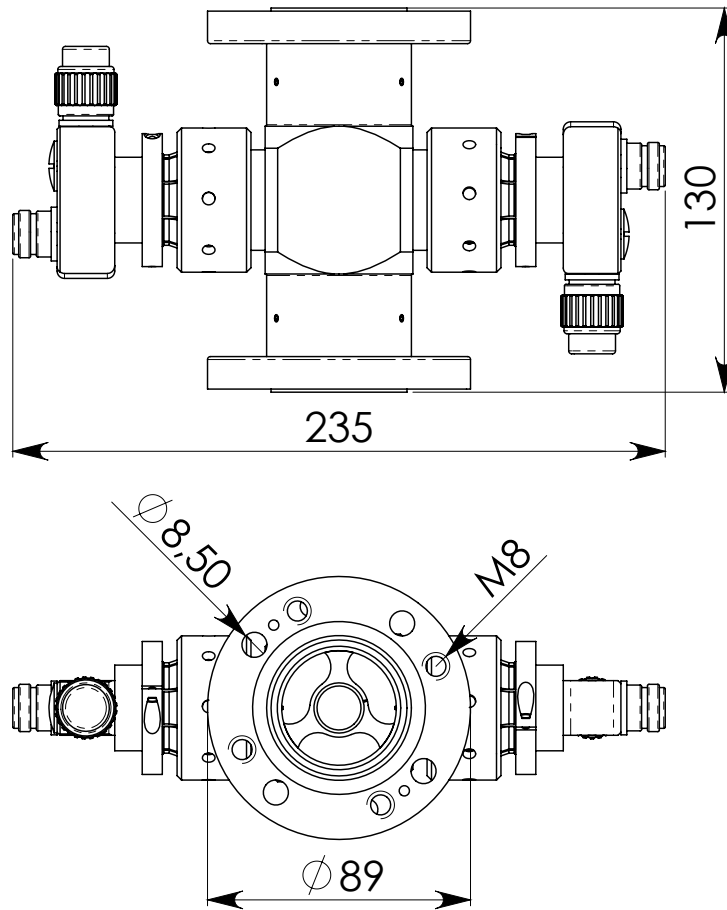
Directional Couplers

Directional Couplers

1+5/8" (2 probes)
**TECHNICAL DATA**

Part Number	ACCDIR158DS
Frequency Range	10 ÷ 900 Mhz
In/Out connectors	EIA 1+5/8"
Impedance	50 Ω
Average power VHF	≤ 13 kW
Average power UHF	≤ 7 kW
Coupling factor	-60dB, other values on request
Directivity	> 30dB
Probe connectors	N female
Operating Temperature Range	-40 ÷ +70° C
Flange / Treatment	Aluminium / Alodine
Corps / Treatment	Brass / Nickel plating
Inner / Treatment	Copper / Silver plated
Probe / Treatment	Brass / Silver plated
Insulator	PTFE
Weight	~ 3.2 Kg

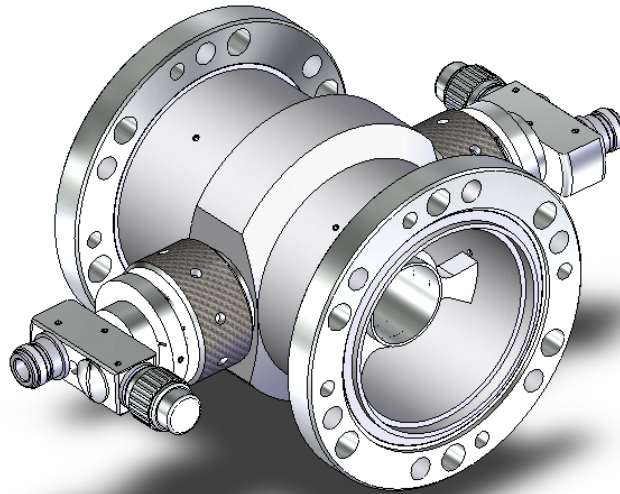
Specifications are subject to change without prior notice



Specifications are subject to change without prior notice

Directional Couplers

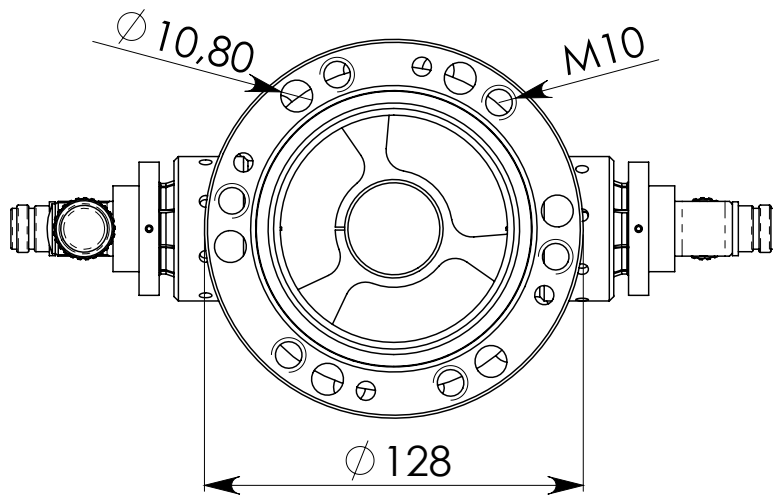
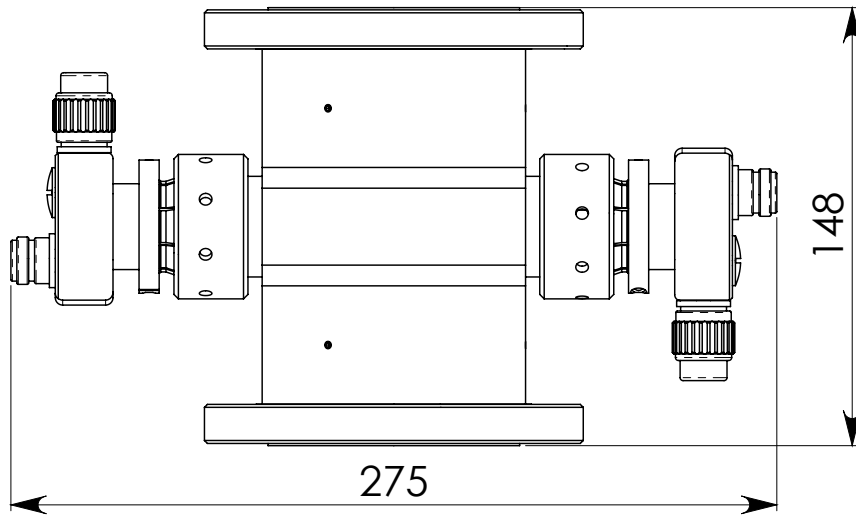
3+1/8" (2 probes)



TECHNICAL DATA

Part Number	ACCDIR318DS
Frequency Range	10 ÷ 900 Mhz
In/Out connectors	EIA 3+1/8"
Impedance	50 Ω
Average power VHF	≤ 35 kW
Average power UHF	≤ 22 kW
Coupling factor	-60dB, other values on request
Directivity	> 30dB
Probe connectors	N female
Operating Temperature Range	-40 ÷ +70° C
Flange / Treatment	Bronze / Nickel plating
Corps / Treatment	Bronze / Nickel plating
Inner / Treatment	Copper / Silver plated
Probe / Treatment	Brass / Silver plated
Insulator	PTFE
Weight	~ 5.4 Kg

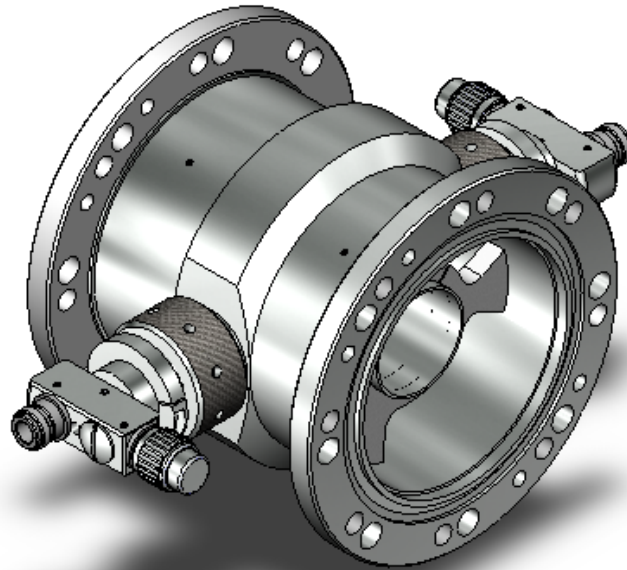
Specifications are subject to change without prior notice



Specifications are subject to change without prior notice

Directional Couplers

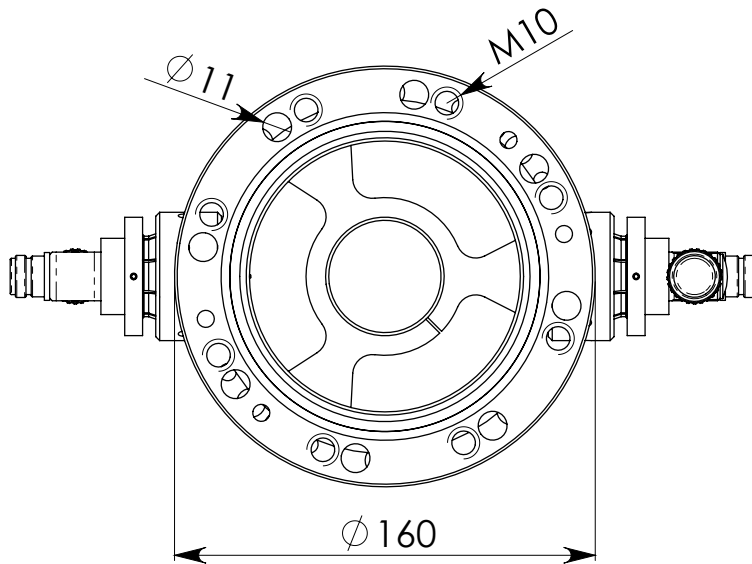
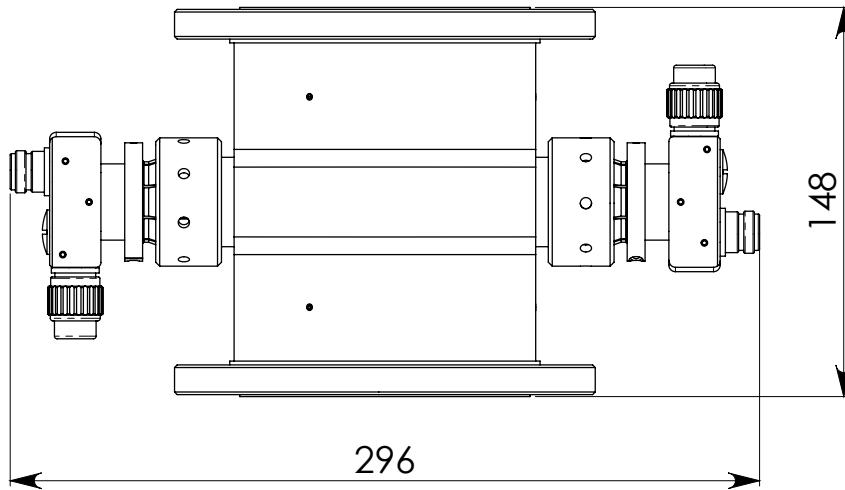
4+1/2" (2 probes)



TECHNICAL DATA

Part Number	ACCDIR412DS
Frequency Range	10 ÷ 900 Mhz
In/Out connectors	EIA 4+1/2"
Impedance	50 Ω
Average power VHF	≤ 70 kW
Average power UHF	≤ 37 kW
Coupling factor	-60dB, other values on request
Directivity	> 30dB
Probe connectors	N female
Operating Temperature Range	-40 ÷ +70° C
Flange / Treatment	Bronze / Nickel plating
Corps / Treatment	Bronze / Nickel plating
Inner / Treatment	Copper / Silver plated
Probe / Treatment	Brass / Silver plated
Insulator	PTFE
Weight	~ 6.6 Kg

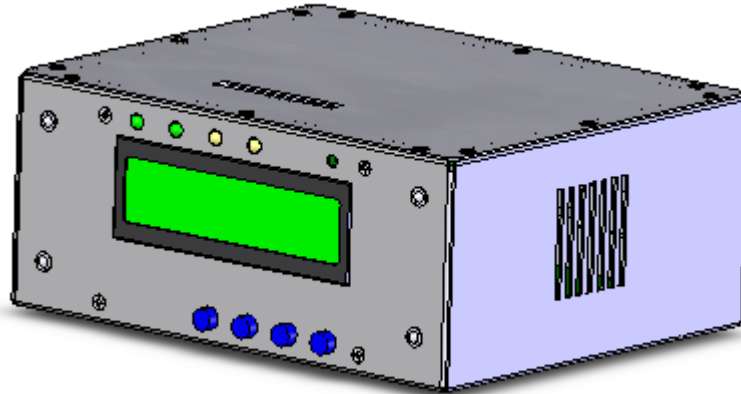
Specifications are subject to change without prior notice



Specifications are subject to change without prior notice

Accessories for Directional Couplers

Digital Power Meter FM

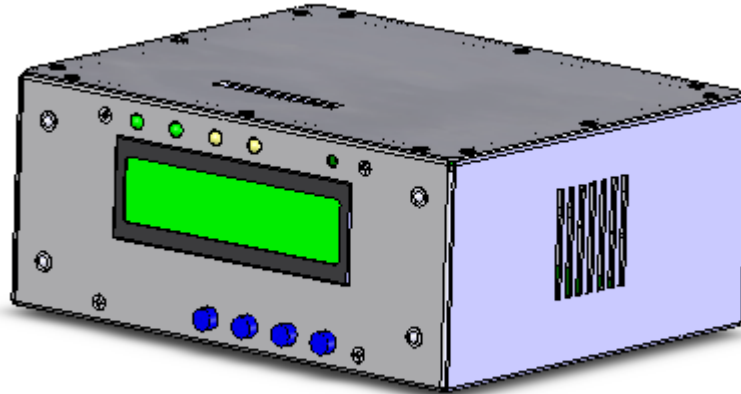


TECHNICAL DATA

Part Number	PWRMETER-D1
Operating Voltage	115-230 Vac 50 ÷ 60 Hz
Consumption	< 5 W
Dimensions	85 mm (H) x 200 mm (W) x 167 mm (D)
Forward RF input	
Connector	BNC
Impedance	50 Ω
Input Level / Adjust	10 dBm
Reflected RF input	
Connector	BNC
Impedance	50 Ω
Input Level / Adjust	10 dBm
Remote connector outputs	
Relay contact	80% FWD
Relay contact	50% FWD
Relay contact	50% RFL
Full scale RF input (W)	10-20-50-100-200-500-1K-2K-5K-10K-20K-50K

Specifications are subject to change without prior notice

Digital Power Meter TV

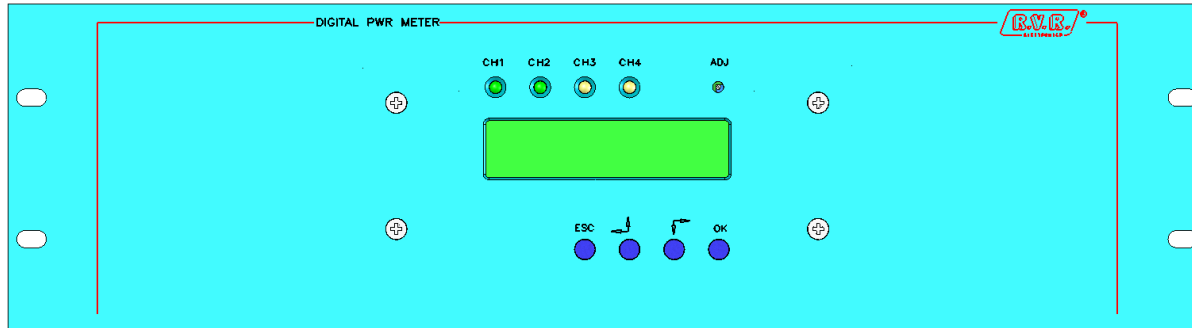


TECHNICAL DATA

Part Number	PWRMETER-D2
Operating Voltage	115-230 Vac 50 ÷ 60 Hz
Consumption	< 5 W
Dimensions	85 mm (H) x 200 mm (W) x 167 mm (D)
Forward RF input	
Connector	BNC
Impedance	50 Ω
Input Level / Adjust	10 dBm
Reflected RF input	
Connector	BNC
Impedance	50 Ω
Input Level / Adjust	10 dBm
Remote connector outputs	
Relay contact	80% FWD
Relay contact	50% FWD
Relay contact	50% RFL
Full scale RF input (W)	10-20-50-100-200-500-1K-2K-5K-10K-20K-50K

Specifications are subject to change without prior notice

Digital Power Meter FM with panel

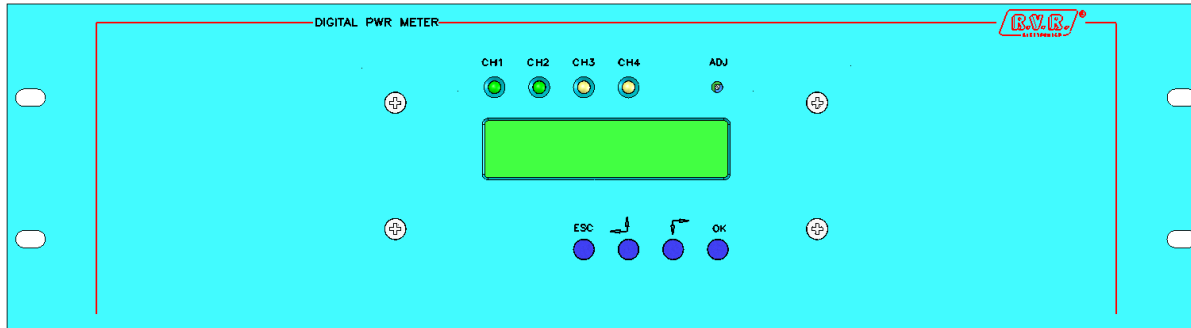


TECHNICAL DATA

Part Number	PWRMETER-D1P
Operating Voltage	115-230 Vac 50 ÷ 60 Hz
Consumption	< 5 W
Dimensions	Standard 3-units rack
Forward RF input	
Connector	BNC
Impedance	50 Ω
Input Level / Adjust	10 dBm
Reflected RF input	
Connector	BNC
Impedance	50 Ω
Input Level / Adjust	10 dBm
Remote connector outputs	
Relay contact	80% FWD
Relay contact	50% FWD
Relay contact	50% RFL
Full scale RF input (W)	10-20-50-100-200-500-1K-2K-5K-10K-20K-50K

Specifications are subject to change without prior notice

Digital Power Meter TV with panel



TECHNICAL DATA

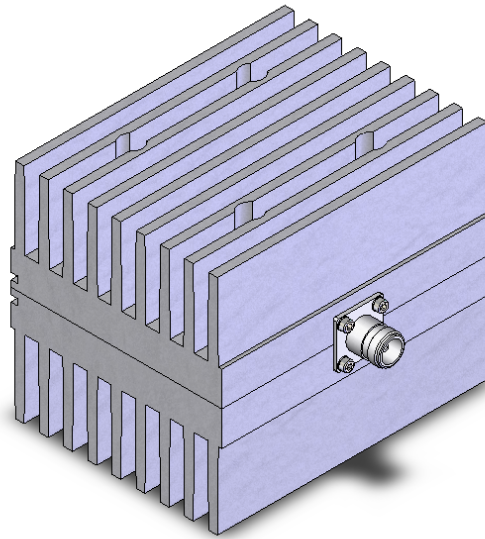
Part Number	PWRMETER-D2P
Operating Voltage	115-230 Vac 50 ÷ 60 Hz
Consumption	< 5 W
Dimensions	Standard 3-units rack
Forward RF input	
Connector	BNC
Impedance	50 Ω
Input Level / Adjust	10 dBm
Reflected RF input	
Connector	BNC
Impedance	50 Ω
Input Level / Adjust	10 dBm
Remote connector outputs	
Relay contact	80% FWD
Relay contact	50% FWD
Relay contact	50% RFL
Full scale RF input (W)	10-20-50-100-200-500-1K-2K-5K-10K-20K-50K

Specifications are subject to change without prior notice

Dummy Load

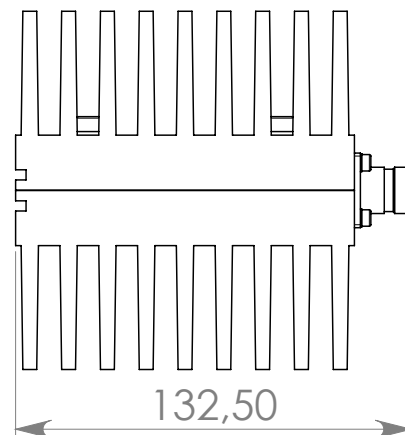
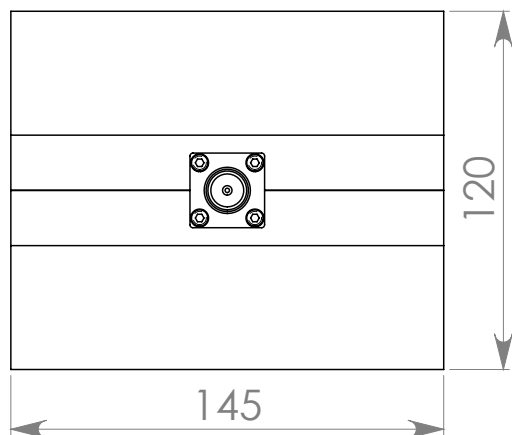
Dummy Load

150 W



TECHNICAL DATA

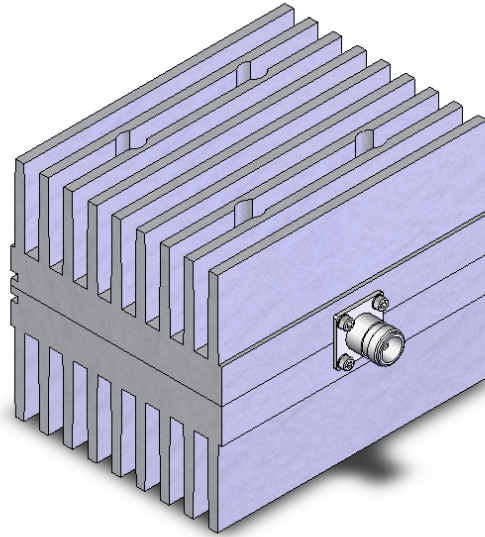
Part Number	EDL150-FM
Frequency Range	DC ÷ 108 Mhz
Connections	N female
Impedance	50 Ω
Max power	150 W
Return Loss	> 27dB
Cooling system	Convection
Operating Temperature Range	-10 ÷ +50° C
Blower AC power	N.A.
Weight	3.3 Kg



Specifications are subject to change without prior notice

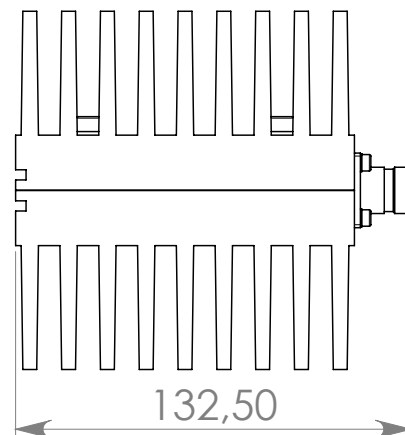
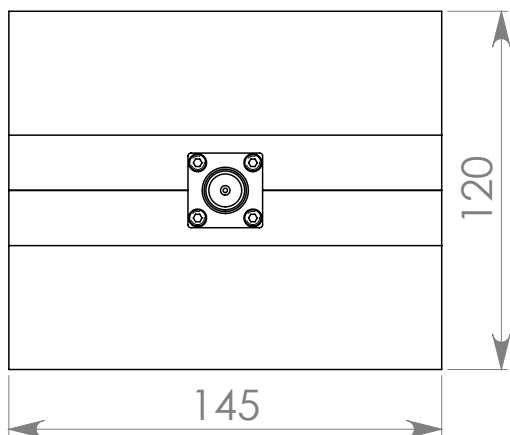
Dummy Load

250 W



TECHNICAL DATA

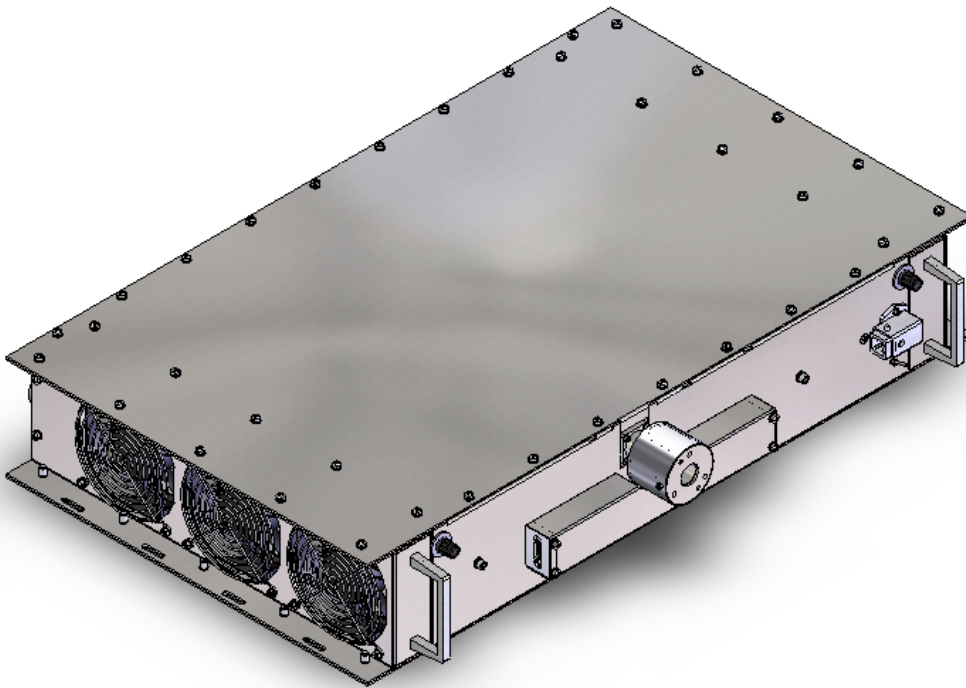
Part Number	EDL250-FM
Frequency Range	DC ÷ 108 Mhz
Connections	N female
Impedance	50 Ω
Max power	250 W
Return Loss	> 27dB
Cooling system	Convection
Operating Temperature Range	-10 ÷ +50° C
Blower AC power	N.A.
Weight	3.3 Kg



Specifications are subject to change without prior notice

Dummy Load

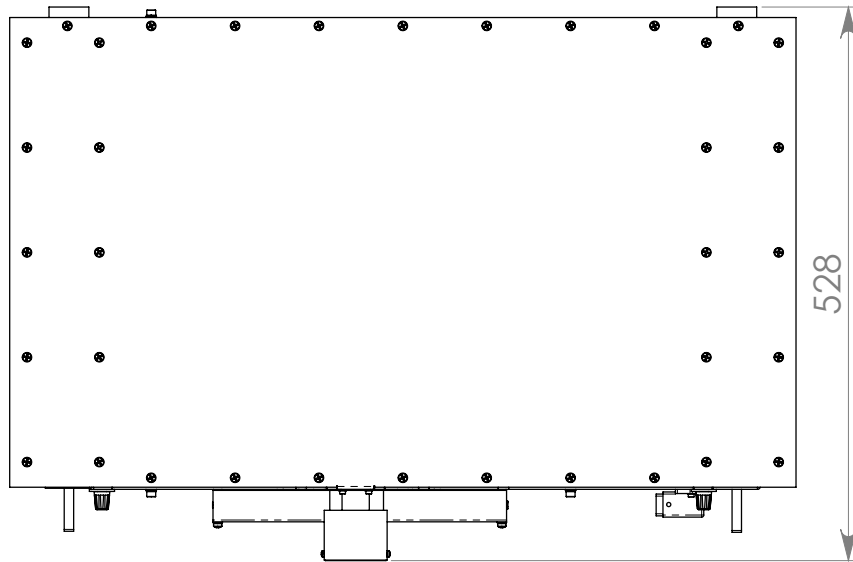
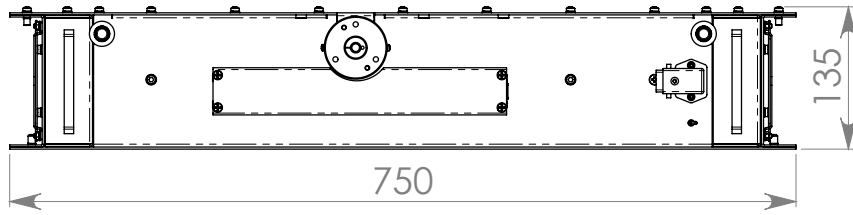
5 Kw FM air forced



TECHNICAL DATA

Part Number	EDL5000-FM
Frequency Range	DC ÷ 108 Mhz
Connections	EIA 7/8"
Impedance	50 Ω
Max power	5 kW
Return Loss	> 27dB
Cooling system	Air forced
Operating Temperature Range	-10 ÷ +50° C
Blower AC power	110 or 220 V
Weight	31 Kg

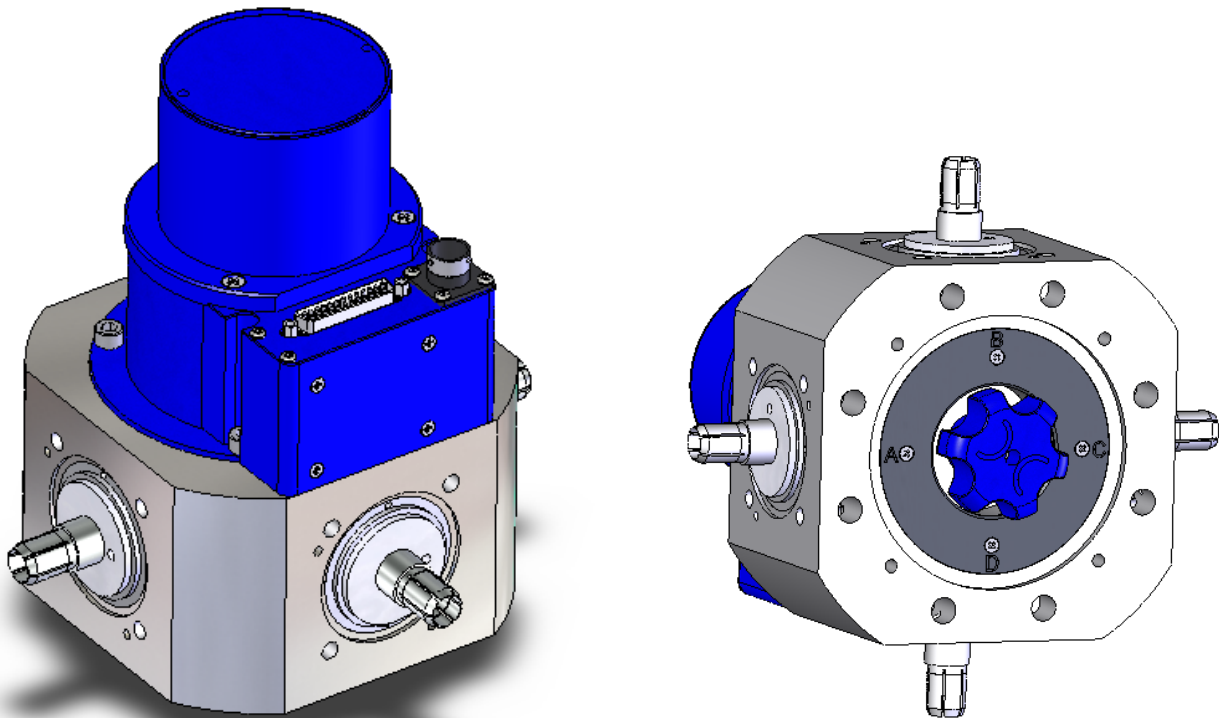
Specifications are subject to change without prior notice



Specifications are subject to change without prior notice

Coaxial Switching Relay

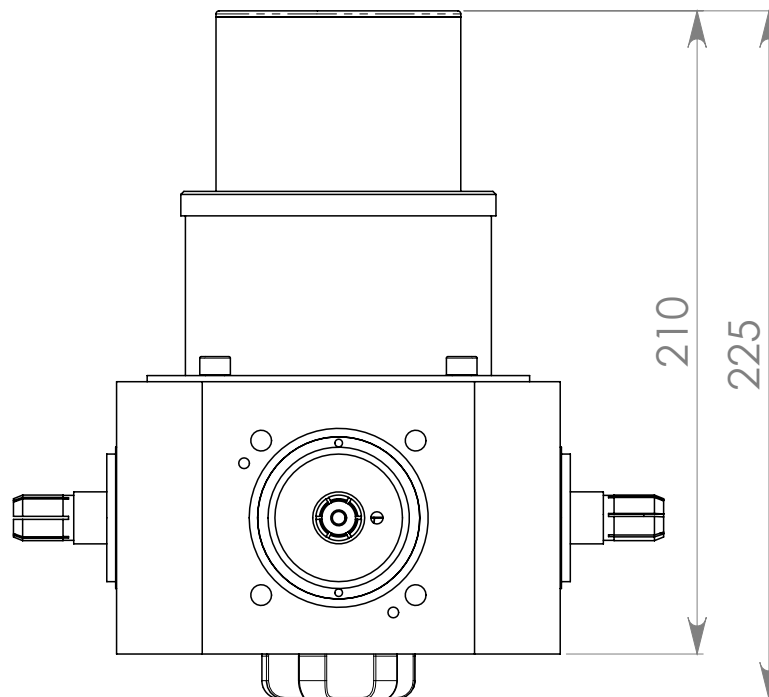
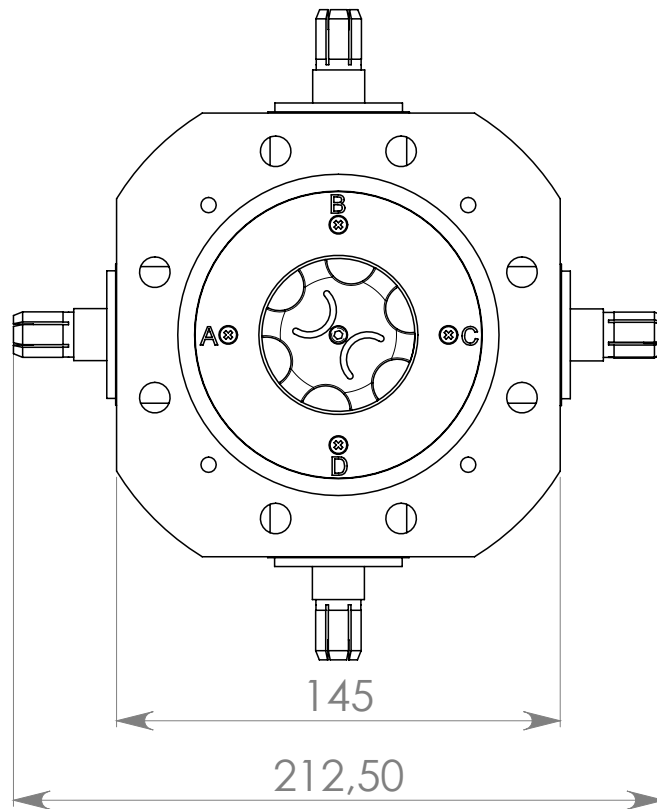
2-Way Coaxial Switching Relay, EIA 1+5/8"



TECHNICAL DATA

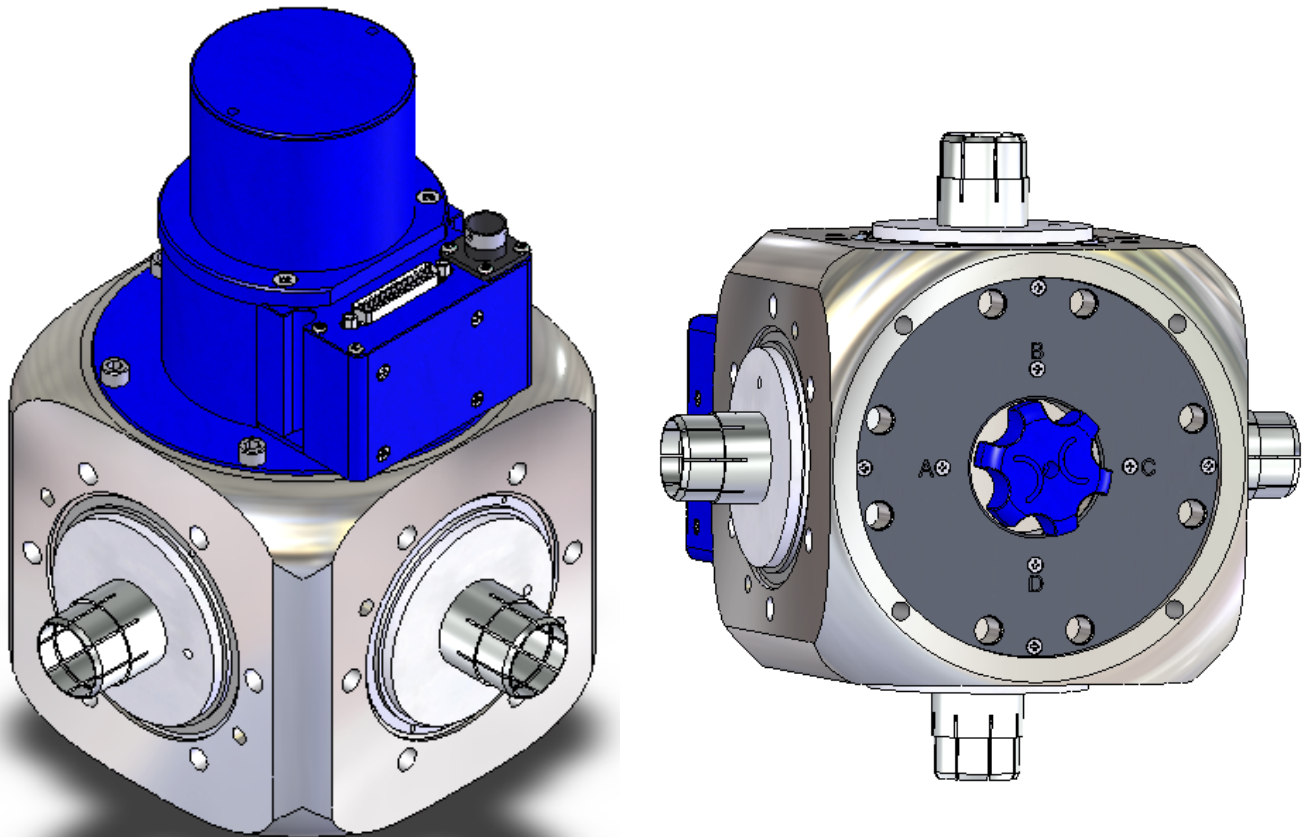
Part Number	RLY158-220-24
Frequency Range	DC ÷ 1 GHz
Connections	EIA 1+5/8" male
Impedance	50 Ω
Average power	≤ 17.0 kW @ 100 MHz ≤ 11.0 kW @ 230 MHz ≤ 6.0 kW @ 860 MHz
Insertion Loss	< 0.05 dB
Isolation	≥ 75 dB
Operating Voltage	230 VAC ± 10%, 50 ÷ 60 Hz
Control Voltage	12 ÷ 26 VDC
Operating Current	≤ 0.3 A
Switching Time	≤ 1 s
Mechanical Life (cycles)	≥ 200.000
Operating Temperature, Humidity and Altitude	-10 ÷ +50 °C, 95% non condensing, 3000 AMSL
Weight	ca. 5.0 kg

Specifications are subject to change without prior notice



Specifications are subject to change without prior notice

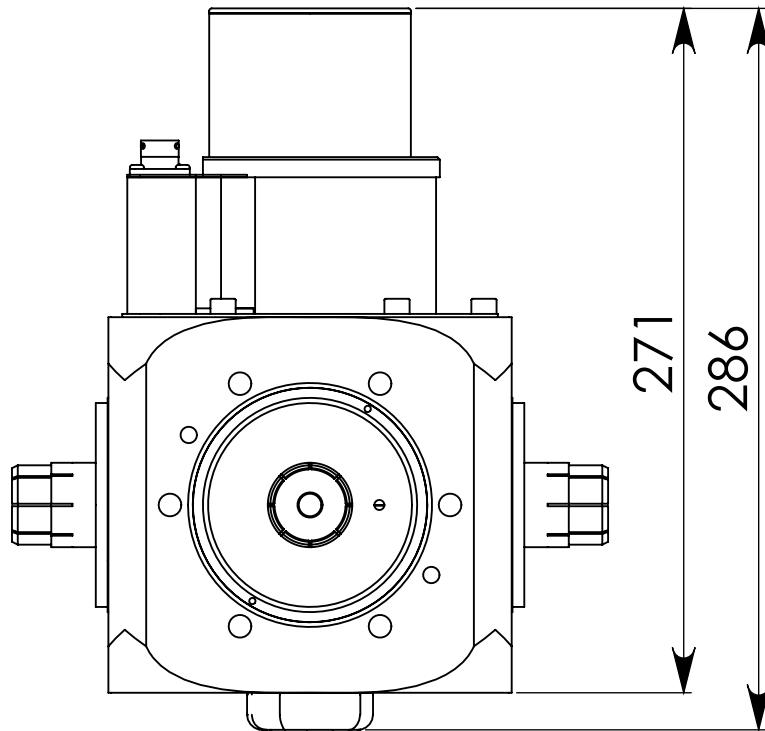
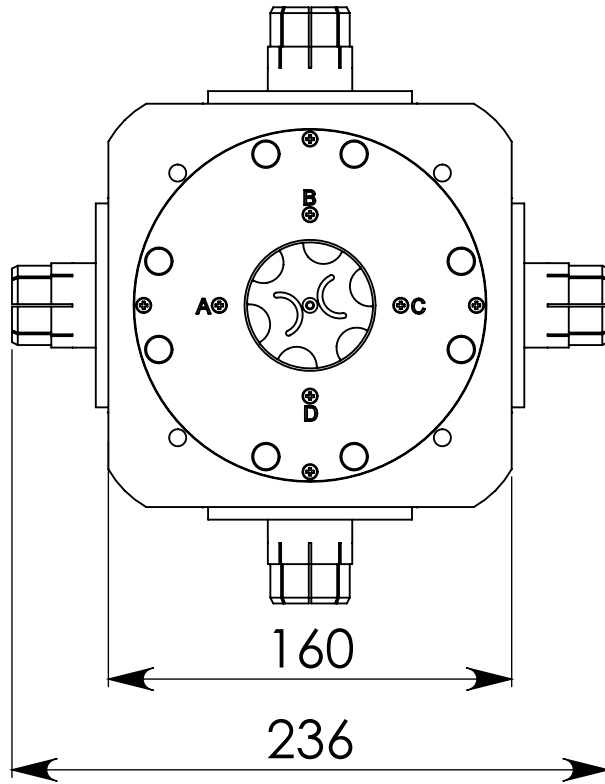
2-Way Coaxial Switching Relay, EIA 3+1/8"



TECHNICAL DATA

Part Number	RLY318-220-24
Frequency Range	DC ÷ 1 GHz
Connections	EIA 3+1/8"
Impedance	50 Ω
Average power	$\leq 55.0 \text{ kW @ } 100 \text{ MHz}$ $\leq 45.0 \text{ kW @ } 230 \text{ MHz}$ $\leq 20.0 \text{ kW @ } 860 \text{ MHz}$
Insertion Loss	< 0.05 dB
Isolation	$\geq 75 \text{ dB}$
Operating Voltage	230 VAC $\pm 10\%$, 50 ÷ 60 Hz
Control Voltage	12 ÷ 26 VDC
Operating Current	$\leq 0.5 \text{ A}$
Switching Time	$\leq 1 \text{ s}$
Mechanical Life (cycles)	≥ 200.000
Operating Temperature, Humidity and Altitude	-10 ÷ +50 °C, 95% non condensing, 3000 AMSL
Weight	ca. 10.6 kg

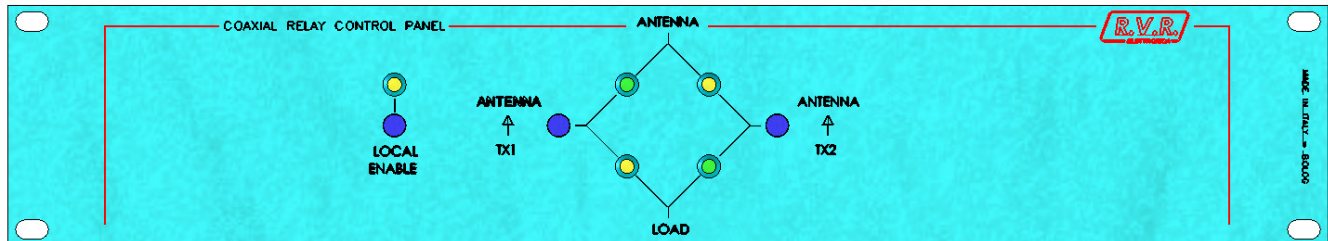
Specifications are subject to change without prior notice



Specifications are subject to change without prior notice

Accessories for Coaxial Switching Relay

Control Panel for coaxial relay

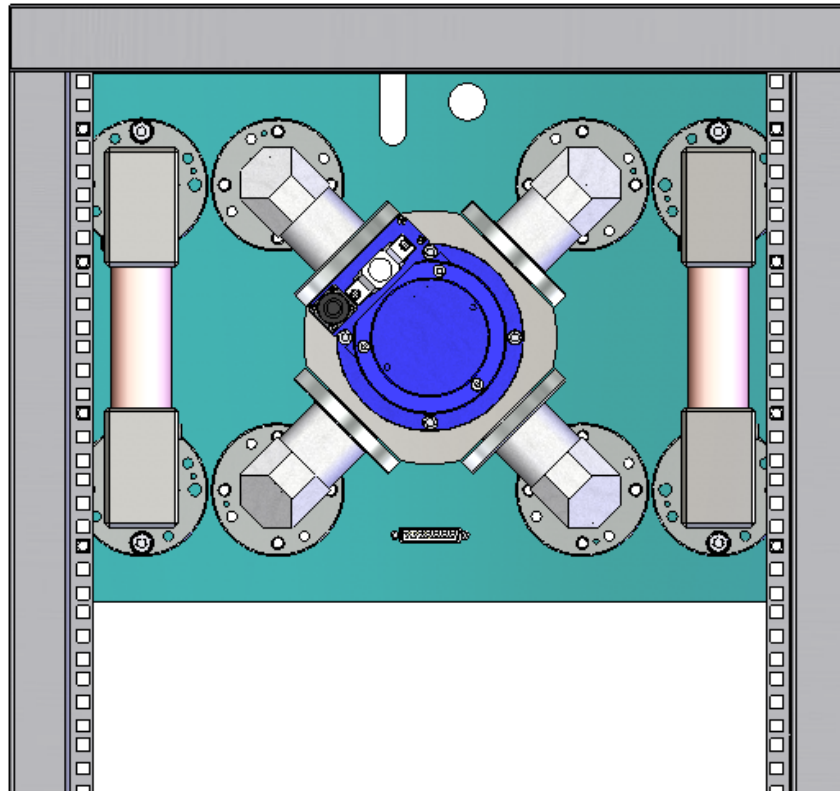


TECHNICAL DATA

Part Number	KPANCRCP126
Operating Voltage	115-230 VAC \pm 10%, 50 \div 60 Hz
Out Control Voltage	12 VDC
Dimensions	Standard 2-units rack
Weight	ca. 1 kg

Specifications are subject to change without prior notice

Fast by-pass Patch panel 1+5/8"



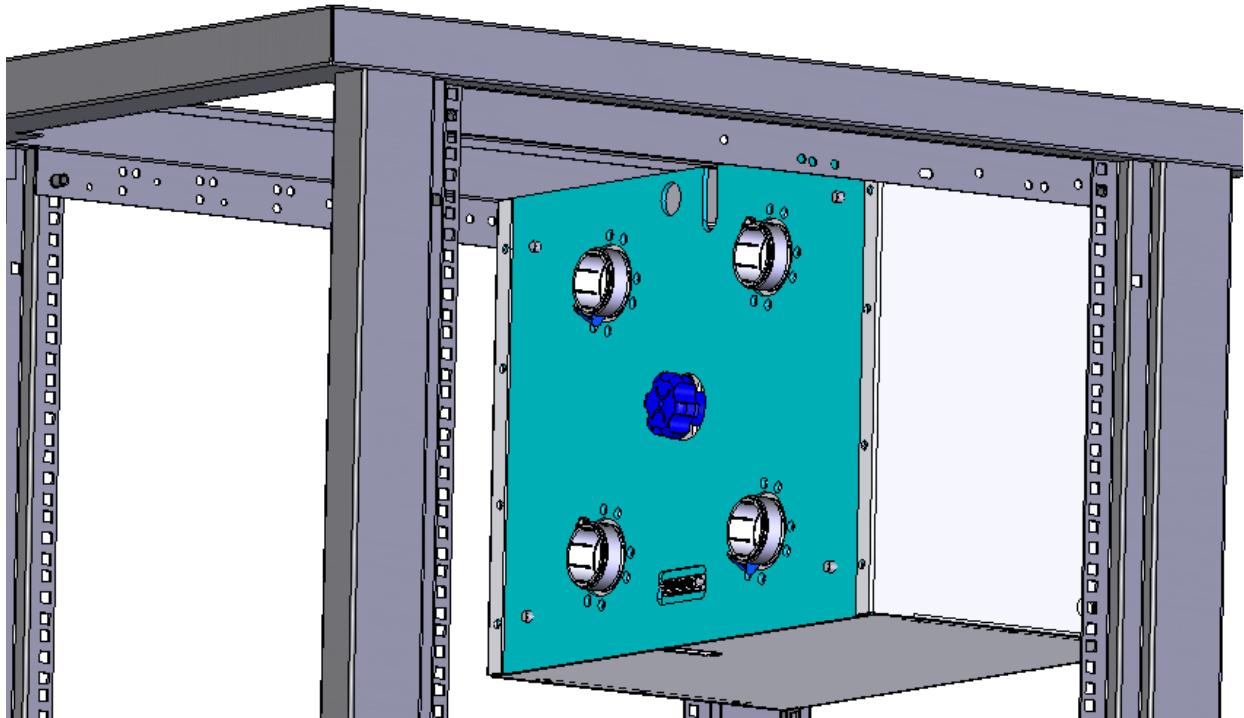
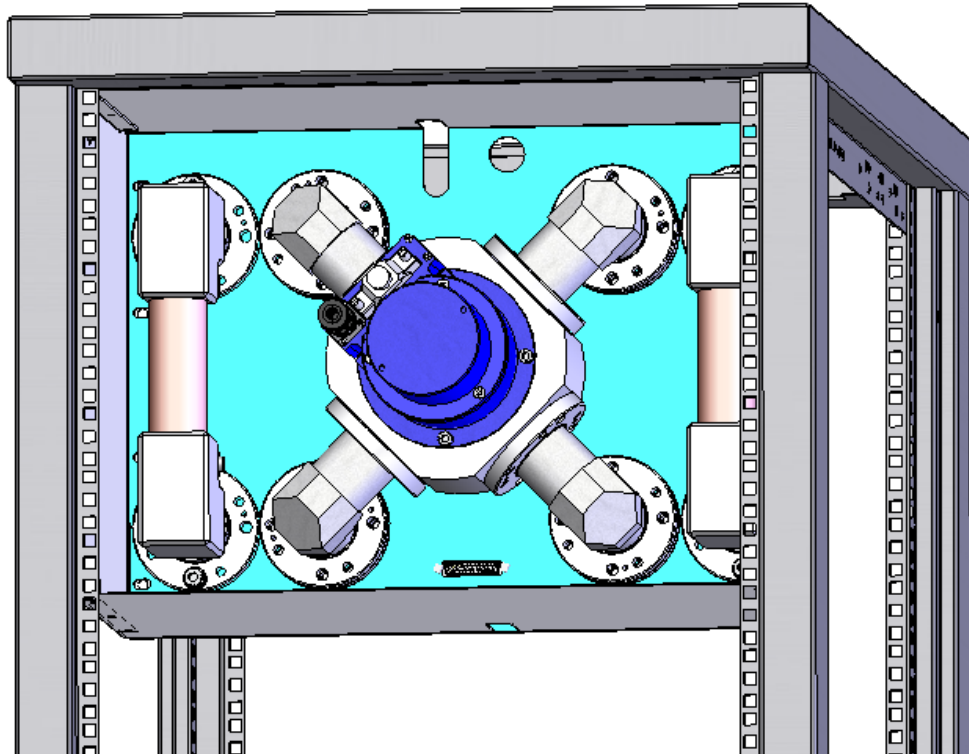
This device permits to by-pass the motorized coaxial relay when the electrical control device and the manual control system, are both in failure.

You can remove the coaxial relay and use instead of it two manual links that can be connected in the same ports.

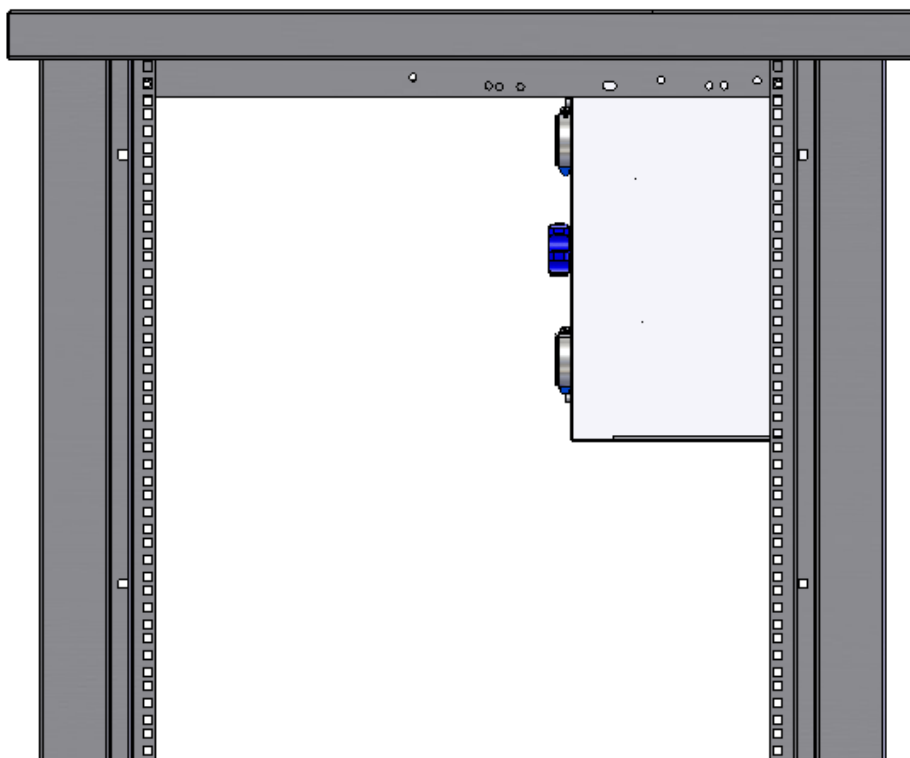
TECHNICAL DATA

Part Number	BYPASSRCOAX158
Relay connectors	EIA 1+5/8
U-links numbers	2
U-links size	EIA 1+5/8"
Dimensions	Standard 8-units rack

Specifications are subject to change without prior notice



Specifications are subject to change without prior notice

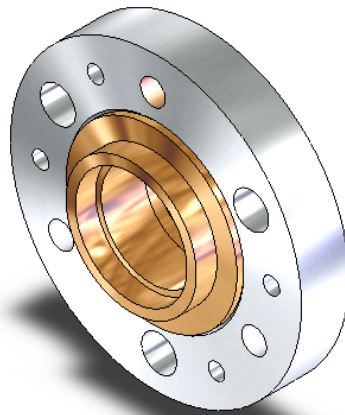


Specifications are subject to change without prior notice

Flanges to weld

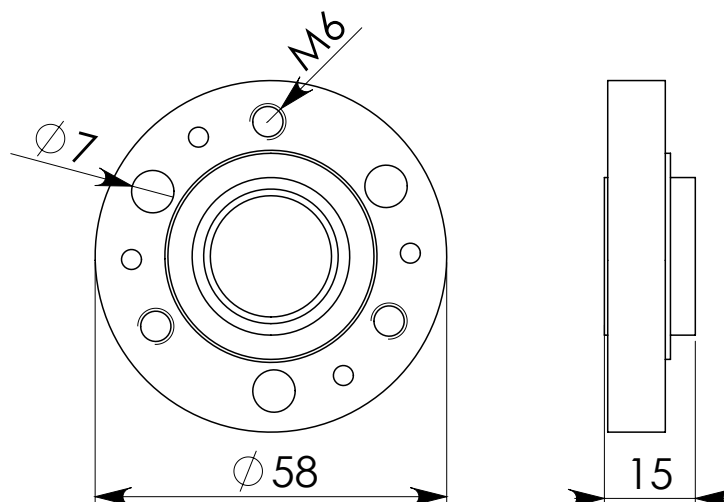
Flanges to weld

7/8"



TECHNICAL DATA

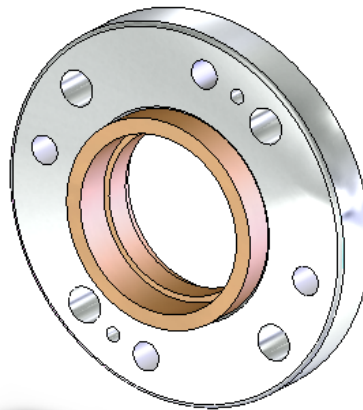
Part Number	CNT78FLS78RL
Frequency Range	0.1 ÷ 900 Mhz
Connectors	EIA 7/8"
Impedance	50 Ω
Average power VHF	≤ 5 kW
Average power UHF	≤ 2.6 kW
Operating Temperature Range	-40 ÷ +70° C
Flange / Treatment	Aluminium / Alodine
Corps / Treatment	Brass / --
Weight	~ 0.17 Kg



Specifications are subject to change without prior notice

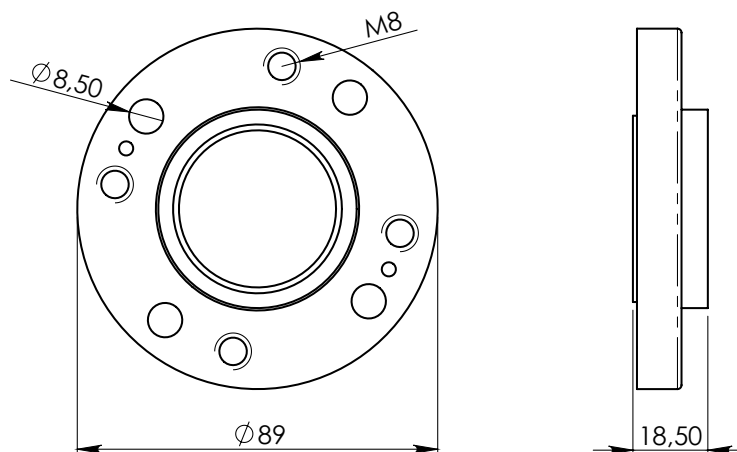
Flanges to weld

1+5/8"



TECHNICAL DATA

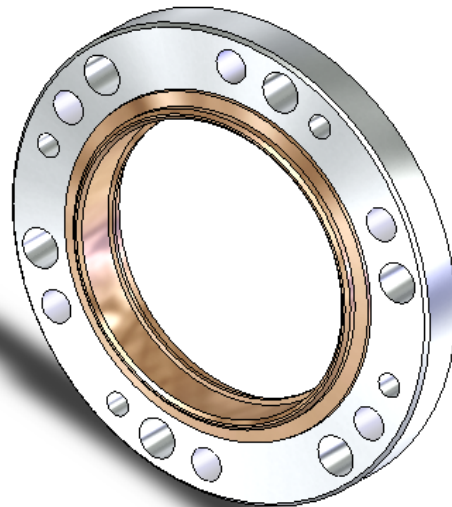
Part Number	CNT58FLS58RL
Frequency Range	0.1 ÷ 900 Mhz
Connectors	EIA 1+5/8"
Impedance	50 Ω
Average power VHF	≤ 13 kW
Average power UHF	≤ 7 kW
Operating Temperature Range	-40 ÷ +70° C
Flange / Treatment	Aluminium / Alodine
Corps / Treatment	Brass / --
Weight	~ 0.44 Kg



Specifications are subject to change without prior notice

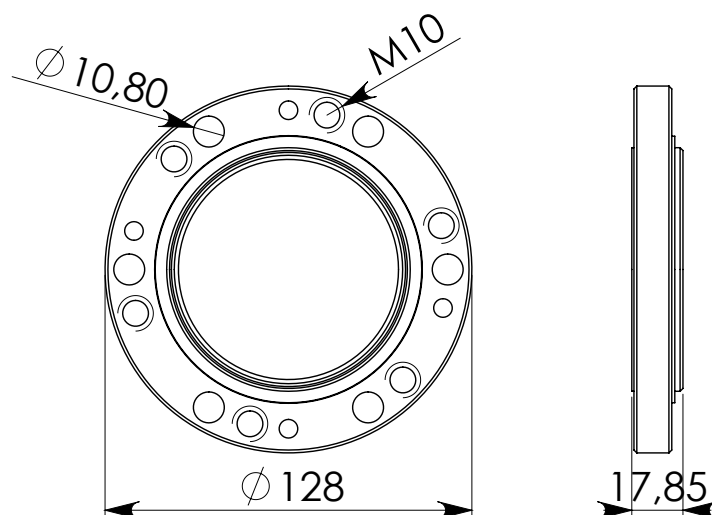
Flanges to weld

3+1/8"



TECHNICAL DATA

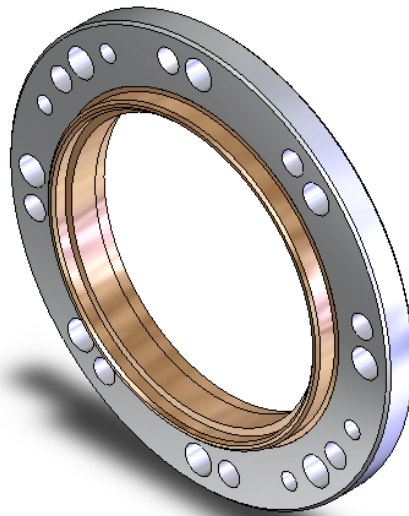
Part Number	CNT18FLS18RL
Frequency Range	0.1 ÷ 900 Mhz
Connectors	EIA 3+1/8"
Impedance	50 Ω
Average power VHF	≤ 35 kW
Average power UHF	≤ 22 kW
Operating Temperature Range	-40 ÷ +70° C
Flange / Treatment	Bronze / Nickel plating
Corps / Treatment	Bronze / --
Weight	~ 0.76 Kg



Specifications are subject to change without prior notice

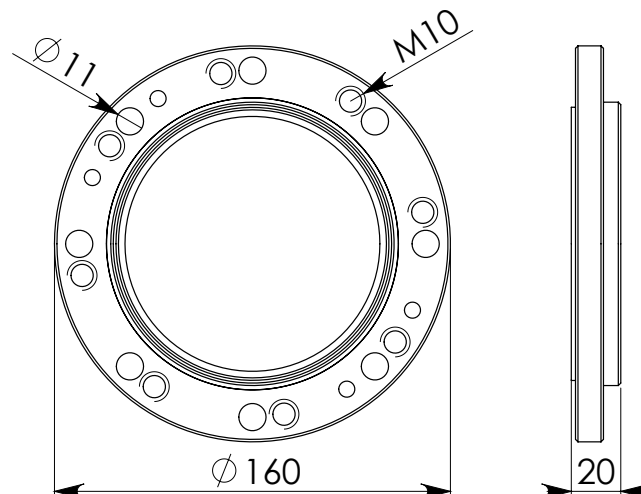
Flanges to weld

4+1/2"



TECHNICAL DATA

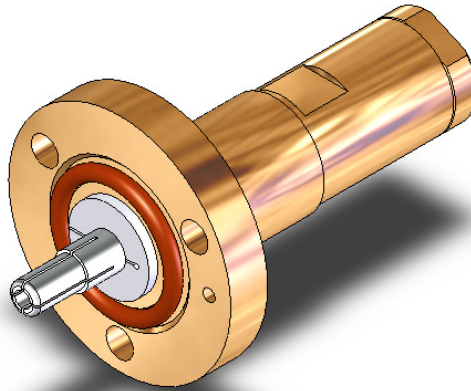
Part Number	CNT12FLS12RL
Frequency Range	0.1 ÷ 900 Mhz
Connectors	EIA 4+1/2"
Impedance	50 Ω
Average power VHF	≤ 70 kW
Average power UHF	≤ 37 kW
Operating Temperature Range	-40 ÷ +70° C
Flange / Treatment	Bronze / Nickel plating
Corps / Treatment	Bronze / --
Weight	~ 1.04 Kg



Specifications are subject to change without prior notice

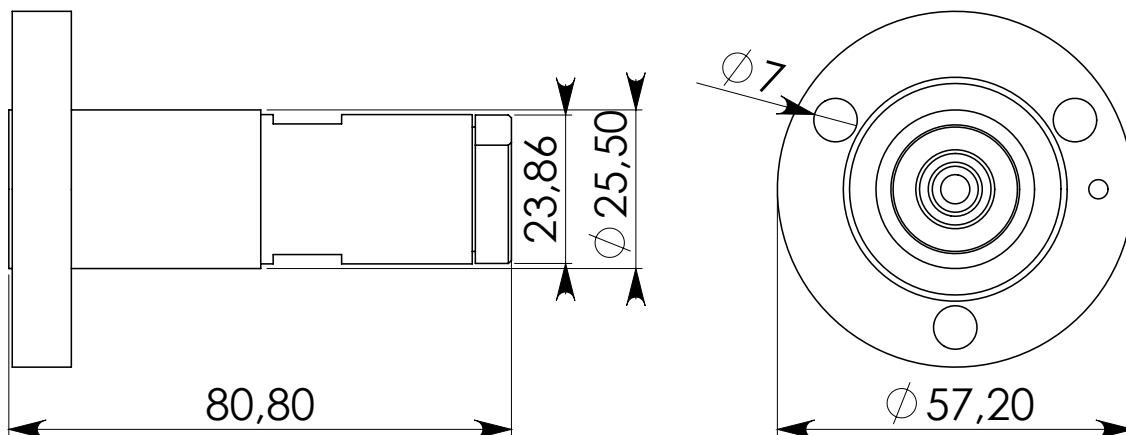
Connectors for RF Cable

7/8" EIA Flange for 1/2" foam cable



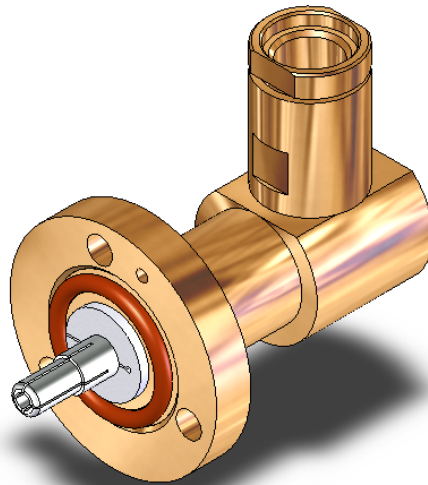
TECHNICAL DATA

Part Number	CNTFL8XCP
Frequency Range	DC ÷ 5 Ghz
Connectors	EIA 7/8"
Impedance	50 Ω
Type of cable to use	1/2" Foam (All cable)
Operating Temperature Range	-40 ÷ +70° C
Flange / Treatment	Brass / Passivation
Corps / Treatment	Brass / Passivation
Inner / Treatment	Brass / Silver plated
Weight	~ 0.4 Kg



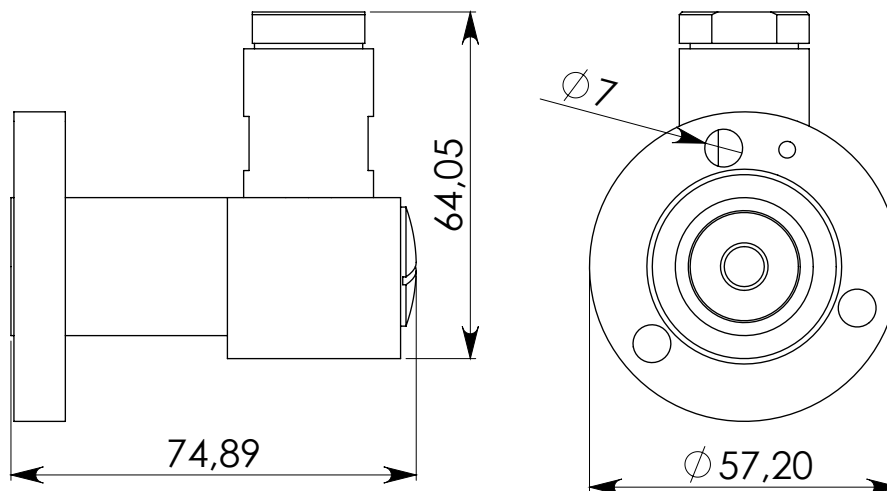
Specifications are subject to change without prior notice

7/8" EIA Flange (90°) for 1/2" foam cable



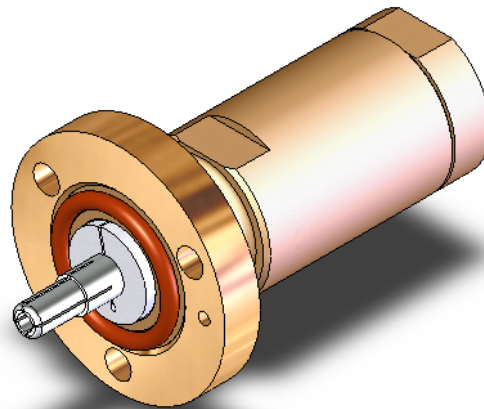
TECHNICAL DATA

Part Number	CNTFL8XCP90
Frequency Range	DC ÷ 5 Ghz
Connectors	EIA 7/8"
Impedance	50 Ω
Type of cable to use	1/2" Foam (All cable)
Operating Temperature Range	-40 ÷ +70° C
Flange / Treatment	Brass / Passivation
Corps / Treatment	Brass / Passivation
Inner / Treatment	Brass / Silver plated
Weight	~ 0.5 Kg



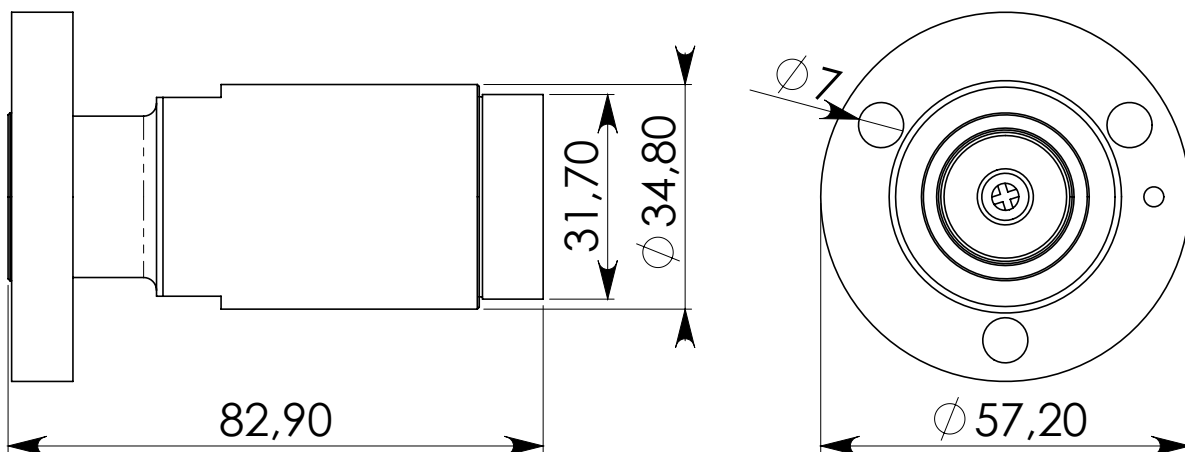
Specifications are subject to change without prior notice

7/8" EIA Flange for 7/8" foam cable



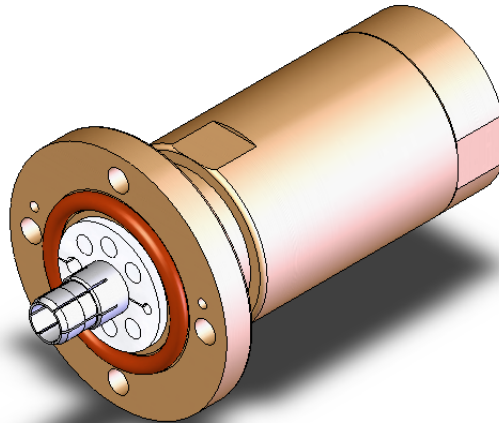
TECHNICAL DATA

Part Number	CNTFL8XC8
Frequency Range	DC ÷ 5 Ghz
Connectors	EIA 7/8"
Impedance	50 Ω
Type of cable to use	7/8" Foam (All cable)
Operating Temperature Range	-40 ÷ +70° C
Flange / Treatment	Brass / Passivation
Corps / Treatment	Brass / Passivation
Inner / Treatment	Brass / Silver plated
Weight	~ 0.5 Kg



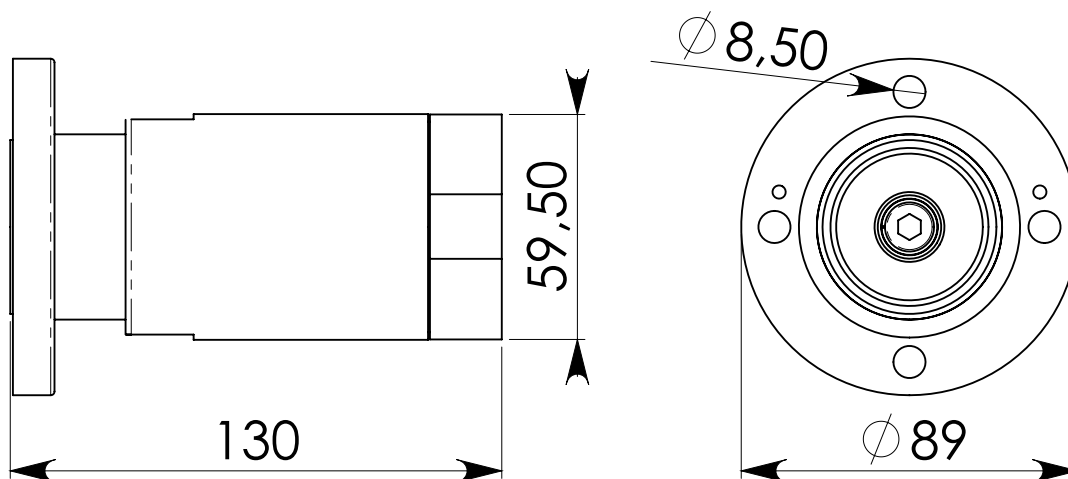
Specifications are subject to change without prior notice

1+5/8" EIA Flange for 1+5/8" foam cable



TECHNICAL DATA

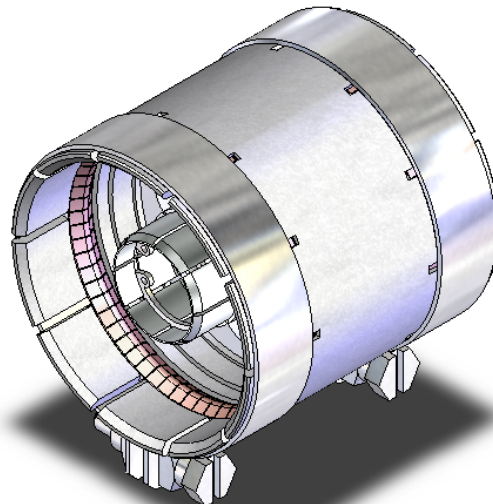
Part Number	CNT58FLXC58
Frequency Range	DC ÷ 5 Ghz
Connectors	EIA 1+5/8" (All cable)
Impedance	50 Ω
Type of cable to use	1+5/8" Foam
Operating Temperature Range	-40 ÷ +70° C
Flange / Treatment	Brass / Passivation
Corps / Treatment	Brass / Passivation
Inner / Treatment	Brass / Silver plated
Weight	~ 1.6 Kg



Specifications are subject to change without prior notice

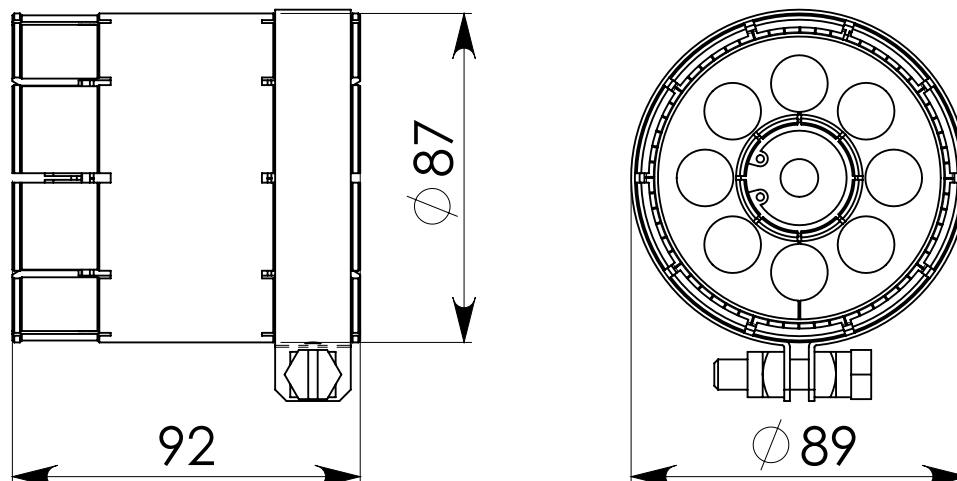
Straight Adaptors

3+1/8" Straight Adaptors (Coupling assembly with inner)



TECHNICAL DATA

Part Number	ADPGNTRL318
Frequency Range	0.1 ÷ 900 Mhz
Connectors	EIA 3+1/8"
Impedance	50 Ω
Average power VHF	≤ 35 kW
Average power UHF	≤ 22 kW
Operating Temperature Range	-40 ÷ +70° C
Inner / Treatment	Phosphor Bronze / Silver plated
Corps / Treatment	Aluminium / Alodine
Insulator	PTFE
Weight	~ 0.7 Kg

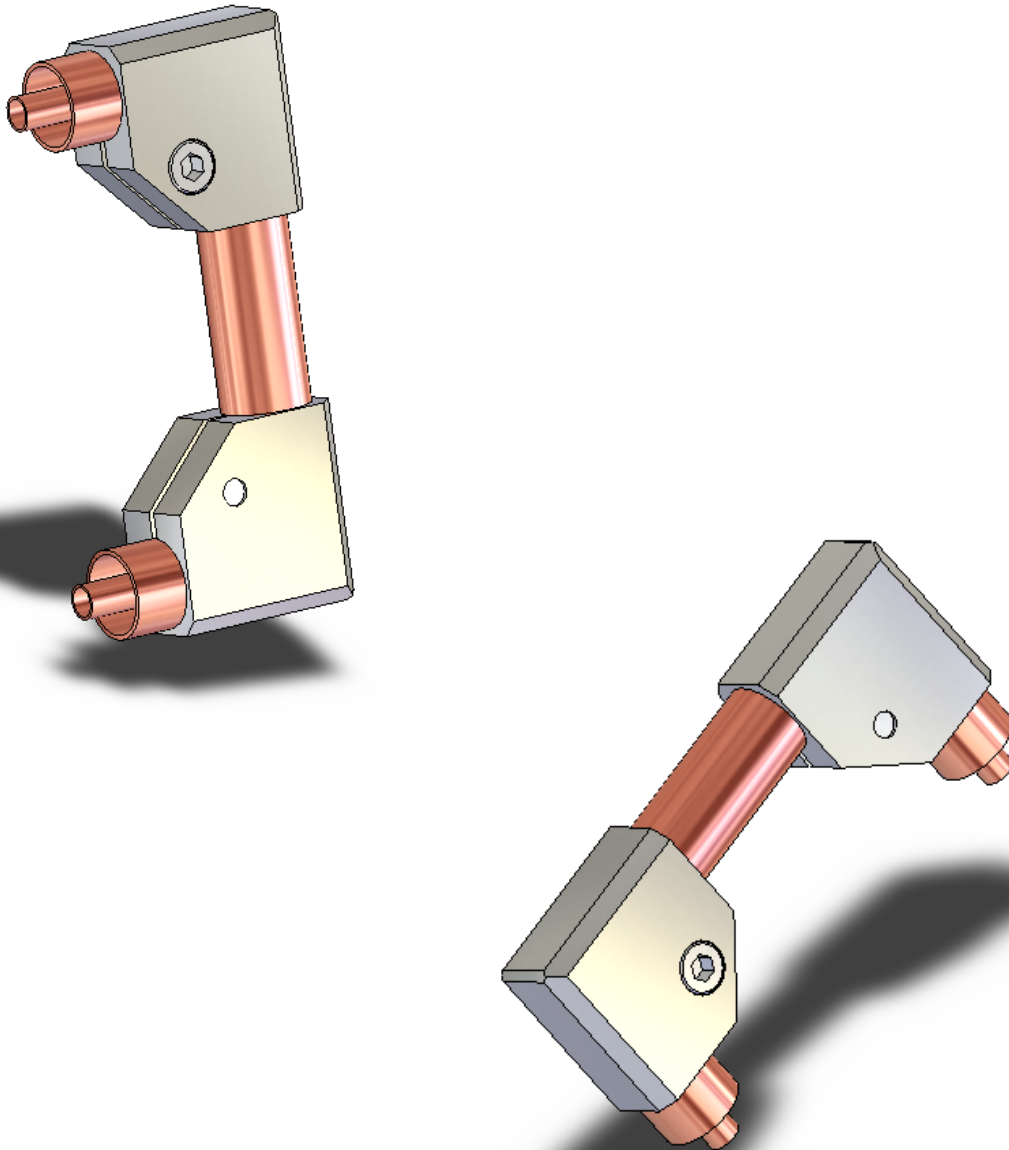


Specifications are subject to change without prior notice

U-Link for Patch Panels

U-Link for Patch Panels

7/8"

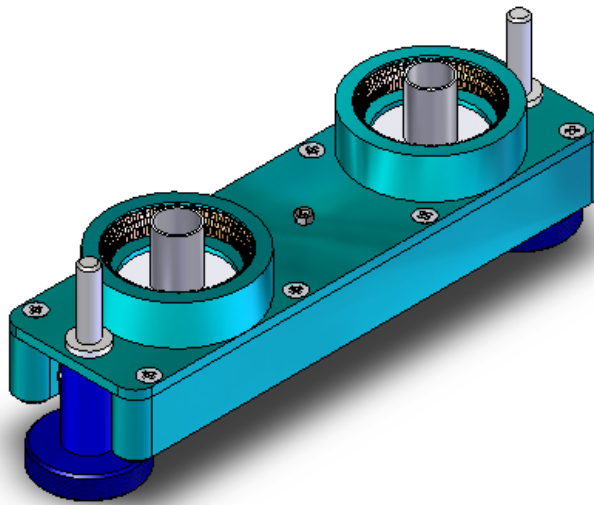
**TECHNICAL DATA**

Part Number	ULINK78
Frequency Range	0.1 ÷ 900 Mhz
Return Loss	> 30 dB
Impedance	50 Ω
Operating Temperature Range	-10 ÷ +50° C
Weight	~ 0.35 Kg

Specifications are subject to change without prior notice

U-Link for Patch Panels

1+5/8"

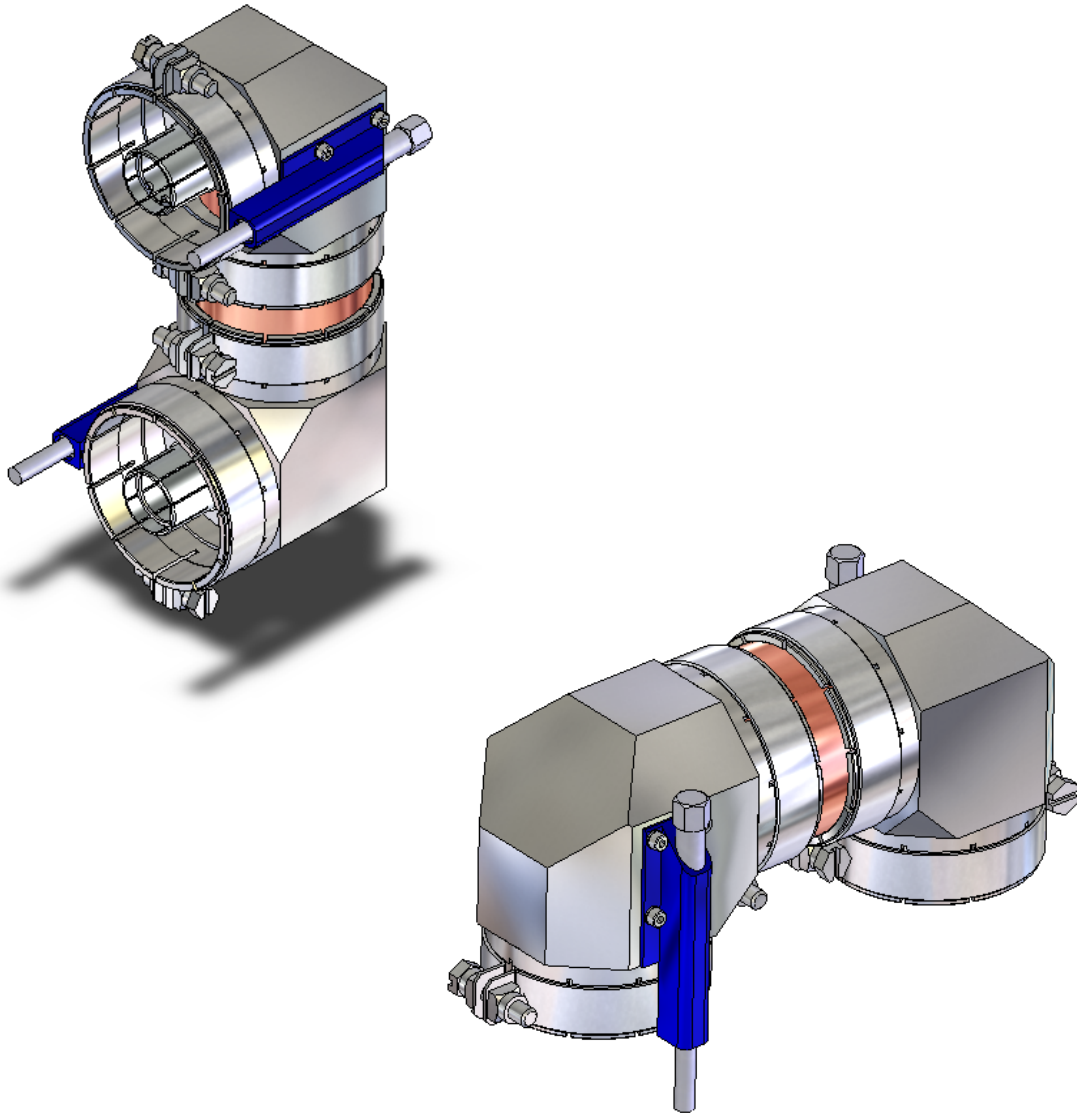


TECHNICAL DATA

Part Number	ULINK158
Frequency Range	0.1 ÷ 900 Mhz
Return Loss	> 30 dB
Impedance	50 Ω
Operating Temperature Range	-10 ÷ +50° C
Weight	~ 1.3 Kg

Specifications are subject to change without prior notice

U-Link for Patch Panels

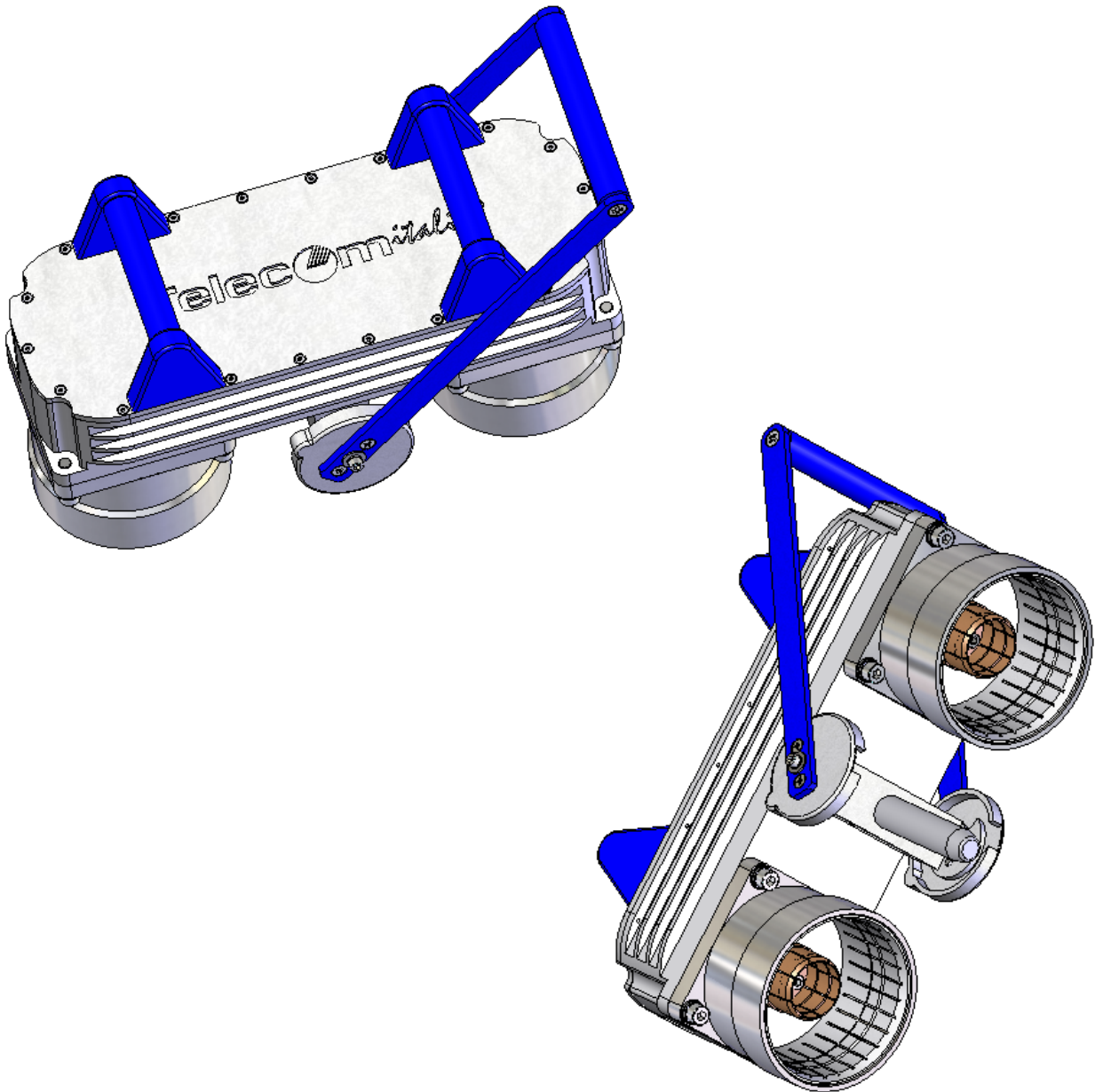
3+1/8"

TECHNICAL DATA

Part Number	ULINK318
Frequency Range	0.1 ÷ 900 Mhz
Return Loss	> 30 dB
Impedance	50 Ω
Operating Temperature Range	-10 ÷ +50° C
Weight	~ 3.5 Kg

Specifications are subject to change without prior notice

U-Link for Patch Panels

4+1/2"



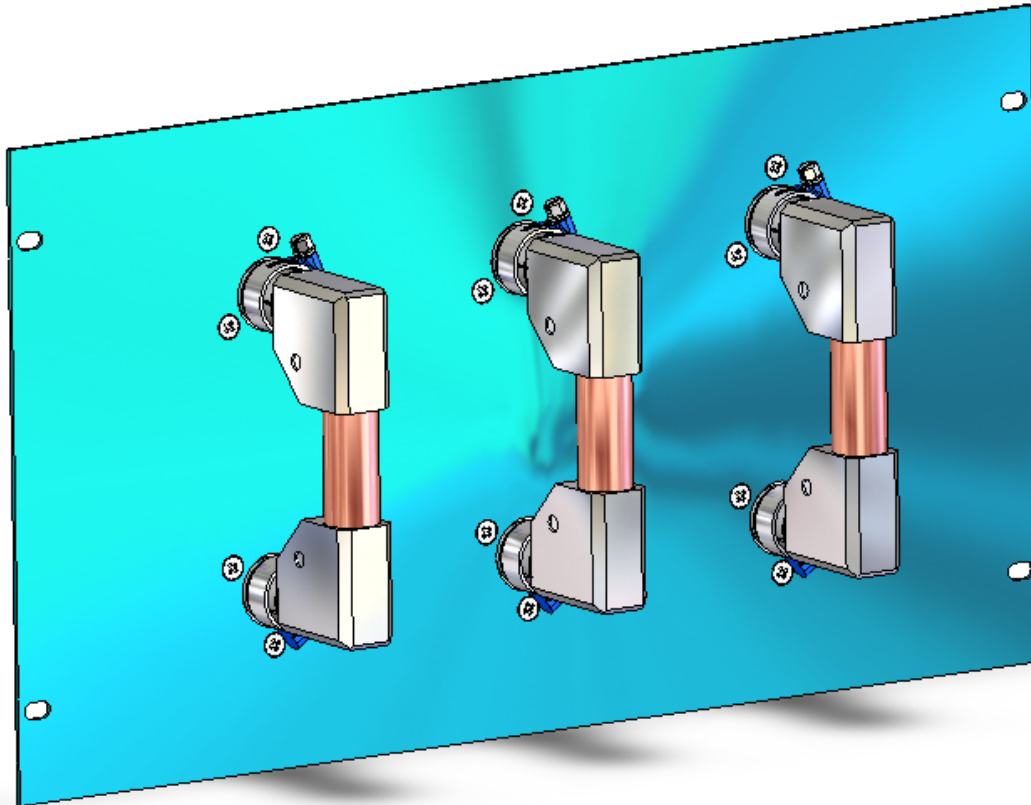
TECHNICAL DATA

Part Number	ULINK412
Frequency Range	0.1 ÷ 900 Mhz
Return Loss	> 30 dB
Impedance	50 Ω
Operating Temperature Range	-10 ÷ +50° C
Weight	~ 8.2 Kg

Specifications are subject to change without prior notice

Patch Panels

7/8" six ports / three U-Links



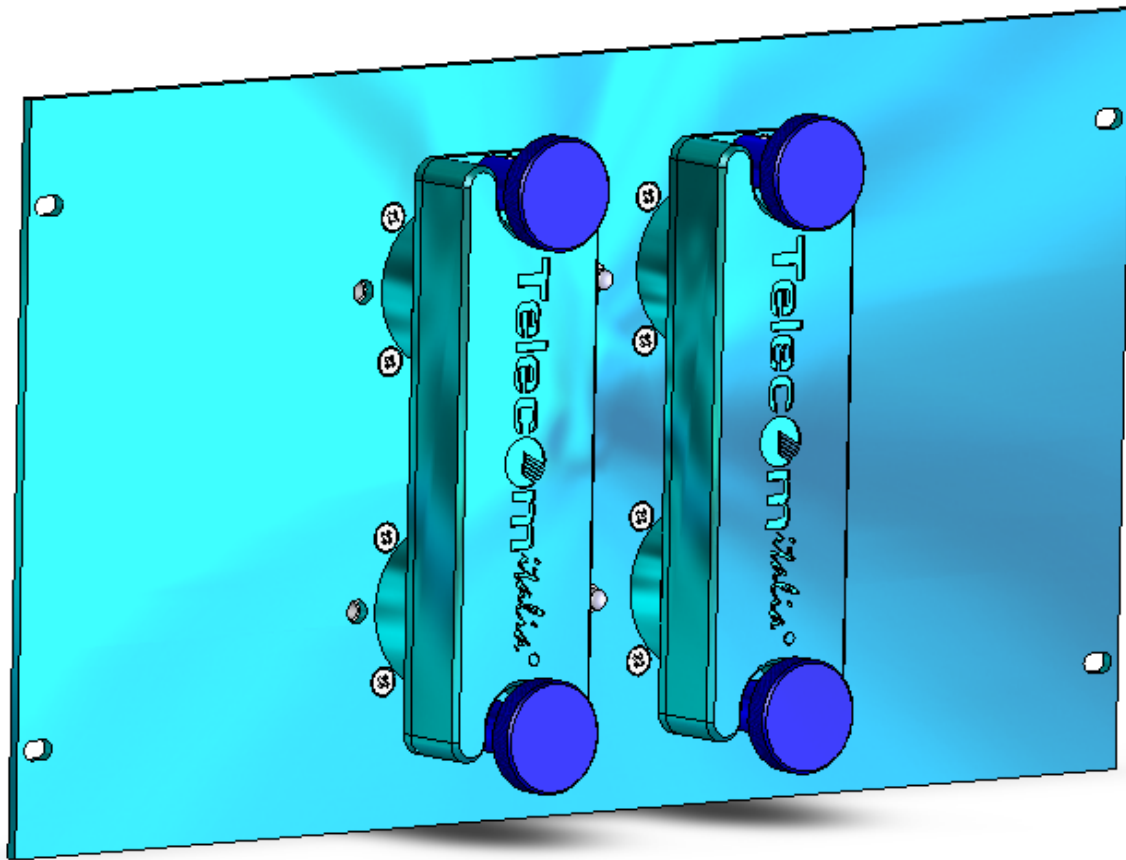
TECHNICAL DATA

Part Number	PCP6-6-3-78
Connector	EIA 7/8"
Ports	6
U-links	3
Dimensions	Standard 6 unit rack

Other models with different configurations are available on request

Specifications are subject to change without prior notice

1+5/8" four ports / two U-Links



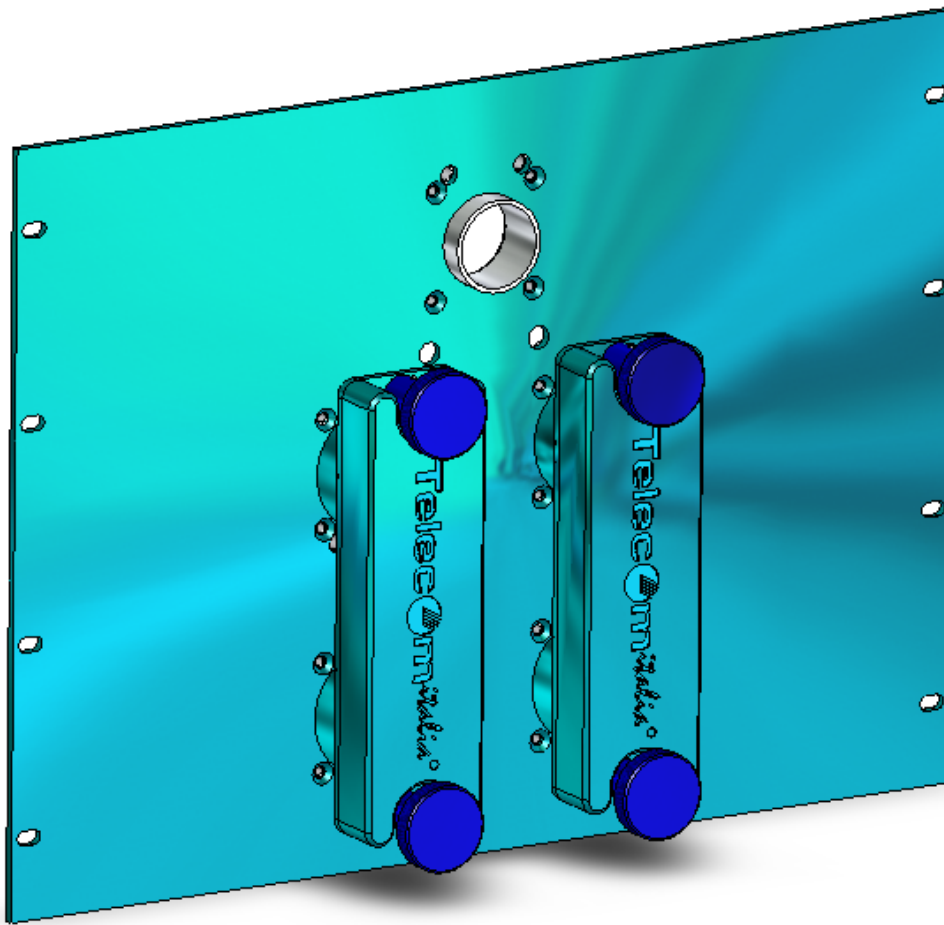
TECHNICAL DATA

Part Number	PCP6-4-2-58
Connector	EIA 1+5/8"
Ports	4
U-links	2
Dimensions	Standard 6 unit rack

Other models with different configurations are available on request

Specifications are subject to change without prior notice

1+5/8" five ports / two U-Links



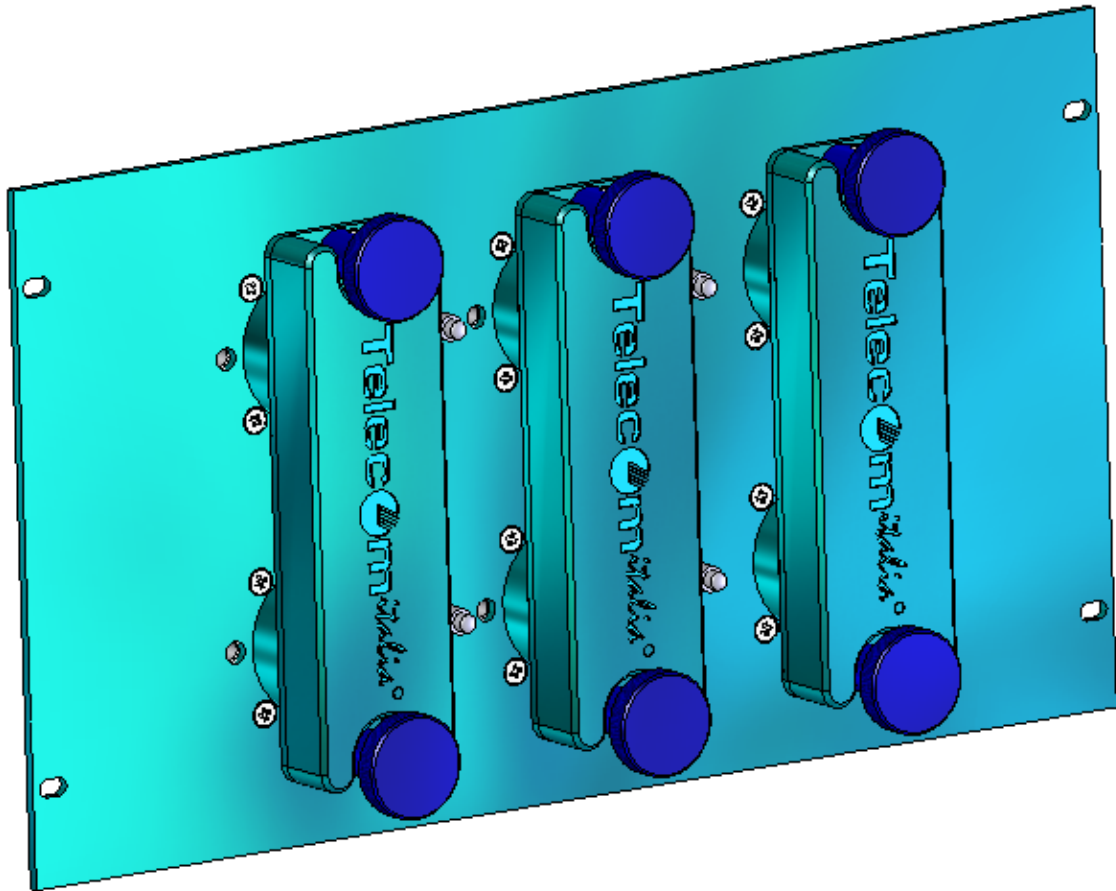
TECHNICAL DATA

Part Number	PCP8-5-2-58
Connector	EIA 1+5/8"
Ports	5
U-links	2
Dimensions	Standard 8 unit rack

Other models with different configurations are available on request

Specifications are subject to change without prior notice

1+5/8" six ports / three U-Links



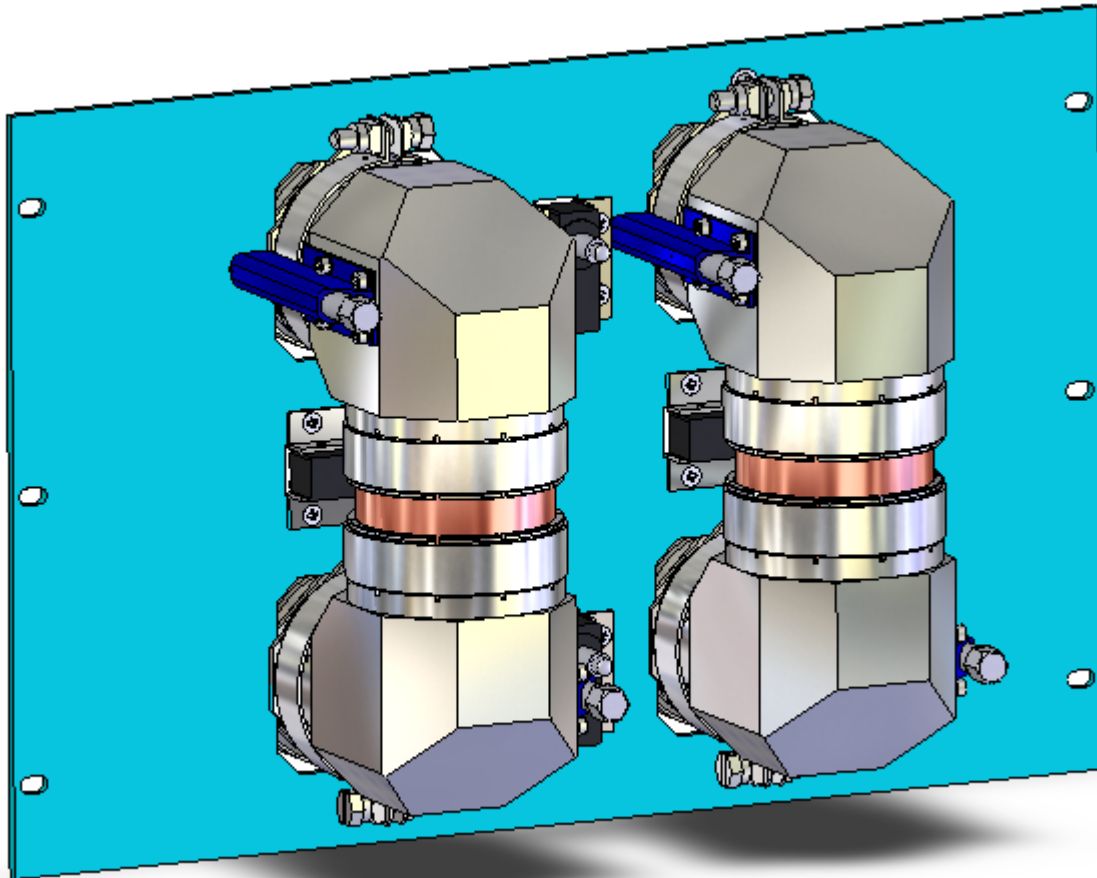
TECHNICAL DATA

Part Number	PCP6-6-3-58
Connector	EIA 1+5/8"
Ports	6
U-links	3
Dimensions	Standard 6 unit rack

Other models with different configurations are available on request

Specifications are subject to change without prior notice

3+1/8" four ports / two U-Links



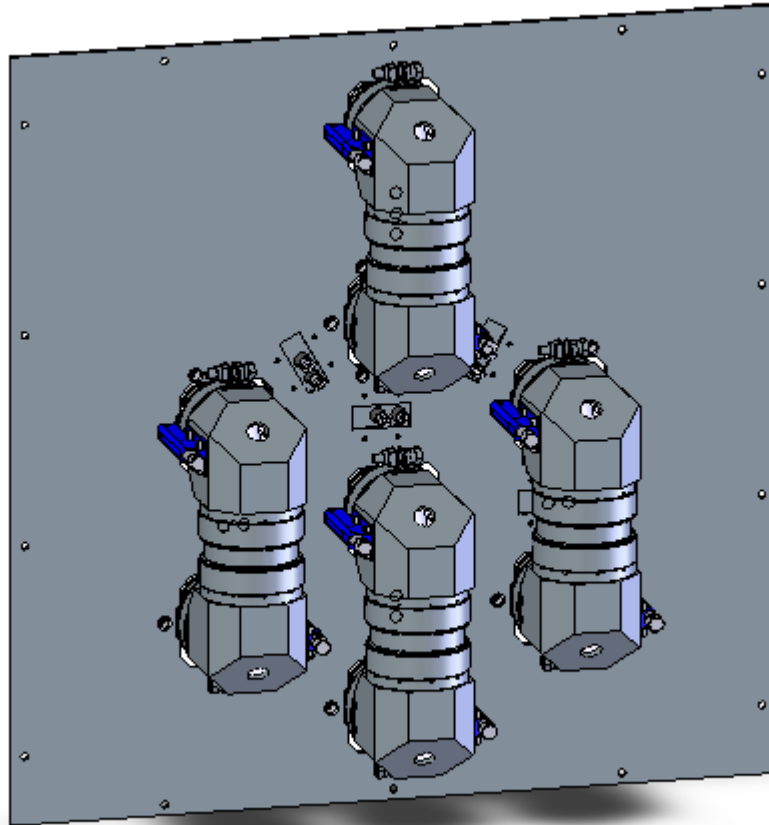
TECHNICAL DATA

Part Number	PCP7-4-2-318
Connector	EIA 3+1/8"
Ports	4
U-links	2
Dimensions	Standard 7 unit rack

Other models with different configurations are available on request

Specifications are subject to change without prior notice

3+1/8" eight ports / four U-Links



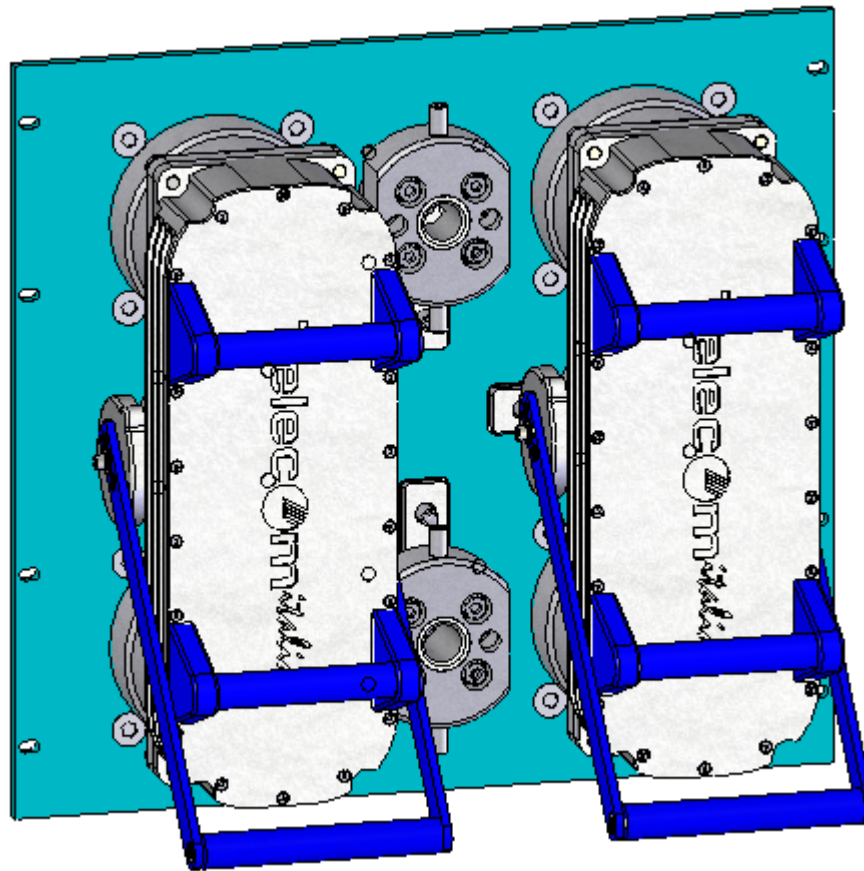
TECHNICAL DATA

Part Number	PCP15-8-4-318
Connector	EIA 3+1/8"
Ports	8
U-links	4
Dimensions	670 mm (W) x 672 mm (H)

Other models with different configurations are available on request

Specifications are subject to change without prior notice

4+1/2" four ports / two U-Links



TECHNICAL DATA

Part Number	PCP10-4-2-412
Connector	EIA 4+1/2"
Ports	4
U-links	2
Dimensions	Standard 10 unit rack

Other models with different configurations are available on request

Specifications are subject to change without prior notice



Telecomitalia®

RVR Elettronica S.p.a.
Via del fonditore, 2/2c
Zona Industriale Roveri • 40138 Bologna • Italy
Phone: +39 051 6010506 • Fax: +39 051 6011104
E-mail: info@rvr.it • Web: www.rvr.it

Telecom Italia s.r.l.
Via del salice, 15
47822 Santarcangelo di R. (RN) • Italy
Phone: +39 0541 623466 • Fax: +39 0541 623467
E-mail: info@telecomitaliasrl.it • Web: www.telecomitaliasrl.it